

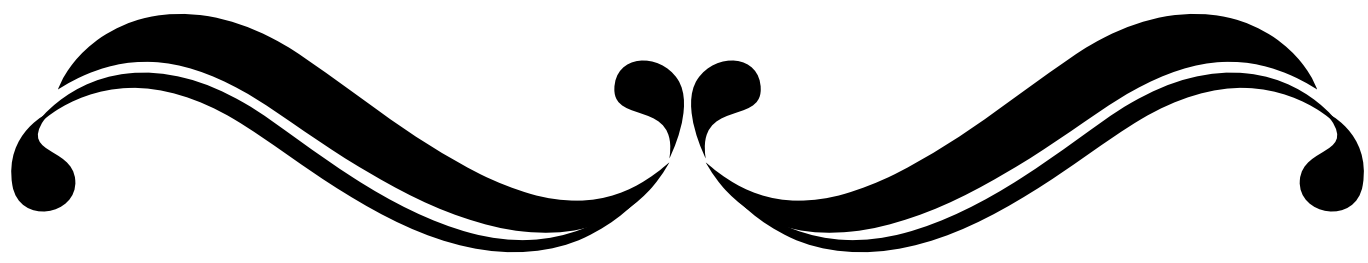


## Console Clamp & Hydraulic Accumulator Clamps



[www.invictaclamps.com](http://www.invictaclamps.com)

# Introduction



Invicta Clamps: High-Performance Console Clamps & Hydraulic accumulator clamps for Reliable Applications. At Invicta Clamps, we specialize in manufacturing high-performance Console Clamps & Hydraulic accumulator clamps designed to meet the rigorous demands of various industrial applications. Our Console Clamps & Hydraulic accumulator clamps are crafted with precision engineering and high-quality materials, ensuring exceptional durability, strength, and reliability. Whether you need clamps for automotive, commercial, or industrial air tank systems, Invicta Clamps provides the perfect solution to secure and support your equipment.

## **Product Features**

**Robust Construction:** Our Console Clamps & Hydraulic accumulator clamps are made from premium materials such as stainless steel and galvanized steel, offering excellent resistance to corrosion and environmental factors. This robust construction ensures long-lasting performance even in the harshest conditions. Precision Engineering. Each clamp is engineered with meticulous attention to detail, ensuring a secure fit and reliable operation. The precision design minimizes the risk of leaks and failures, providing consistent performance for air tank systems. Versatile Sizes and Designs Invicta Console Clamps & Hydraulic accumulator clamps are available in various sizes and designs to accommodate different tank diameters and configurations. This versatility makes them suitable for a wide range of applications, from small automotive tanks to large industrial air tanks. Ease of Installation. Our clamps are designed for easy installation, allowing for quick and efficient setup. The user-friendly design reduces downtime and maintenance efforts, making them ideal for busy industrial environments.

**Enhanced Safety:** Safety is a top priority at Invicta Clamps. Our Console Clamps & Hydraulic accumulator clamps are rigorously tested to ensure they meet or exceed industry standards for safety and reliability. This commitment to quality helps prevent accidents and ensures the secure operation of air tank systems Applications.

**Automotive Industry:** Our Console Clamps & Hydraulic accumulator clamps are widely used in automotive applications, including air brake systems and air suspension systems. Their durable construction and precise fit make them an excellent choice for ensuring the reliability and safety of these critical systems.

**Industrial Equipment:** In industrial settings, air tanks are essential for powering pneumatic tools and machinery. Invicta Console Clamps & Hydraulic accumulator clamps provide the strength and reliability needed to secure air tanks in heavy-duty environments, ensuring uninterrupted operation.

**Commercial Vehicles:** For commercial vehicles such as trucks and buses, reliable Console Clamps & Hydraulic accumulator clamps are crucial for maintaining air brake and suspension systems. Our clamps are designed to withstand the demands of commercial use, providing peace of mind for fleet operators.

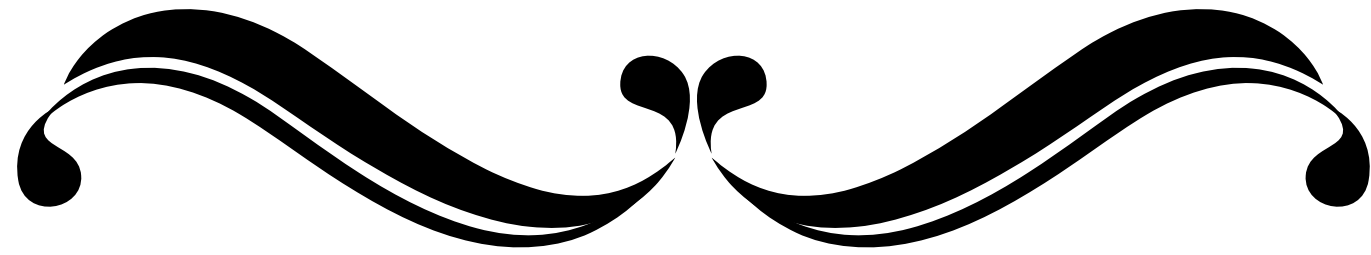
**Marine Applications:** The marine industry requires equipment that can withstand harsh conditions, including exposure to saltwater and extreme weather. Invicta Console Clamps & Hydraulic accumulator clamps are designed to offer superior corrosion resistance, making them suitable for use in marine environments.

**Commitment to Quality:** At Invicta Clamps, we are dedicated to providing products that meet the highest standards of quality and performance. Our Console Clamps & Hydraulic accumulator clamps undergo rigorous testing and quality control procedures to ensure they deliver reliable and consistent performance. We are committed to continuous improvement and innovation, striving to offer the best solutions for our customers' needs.

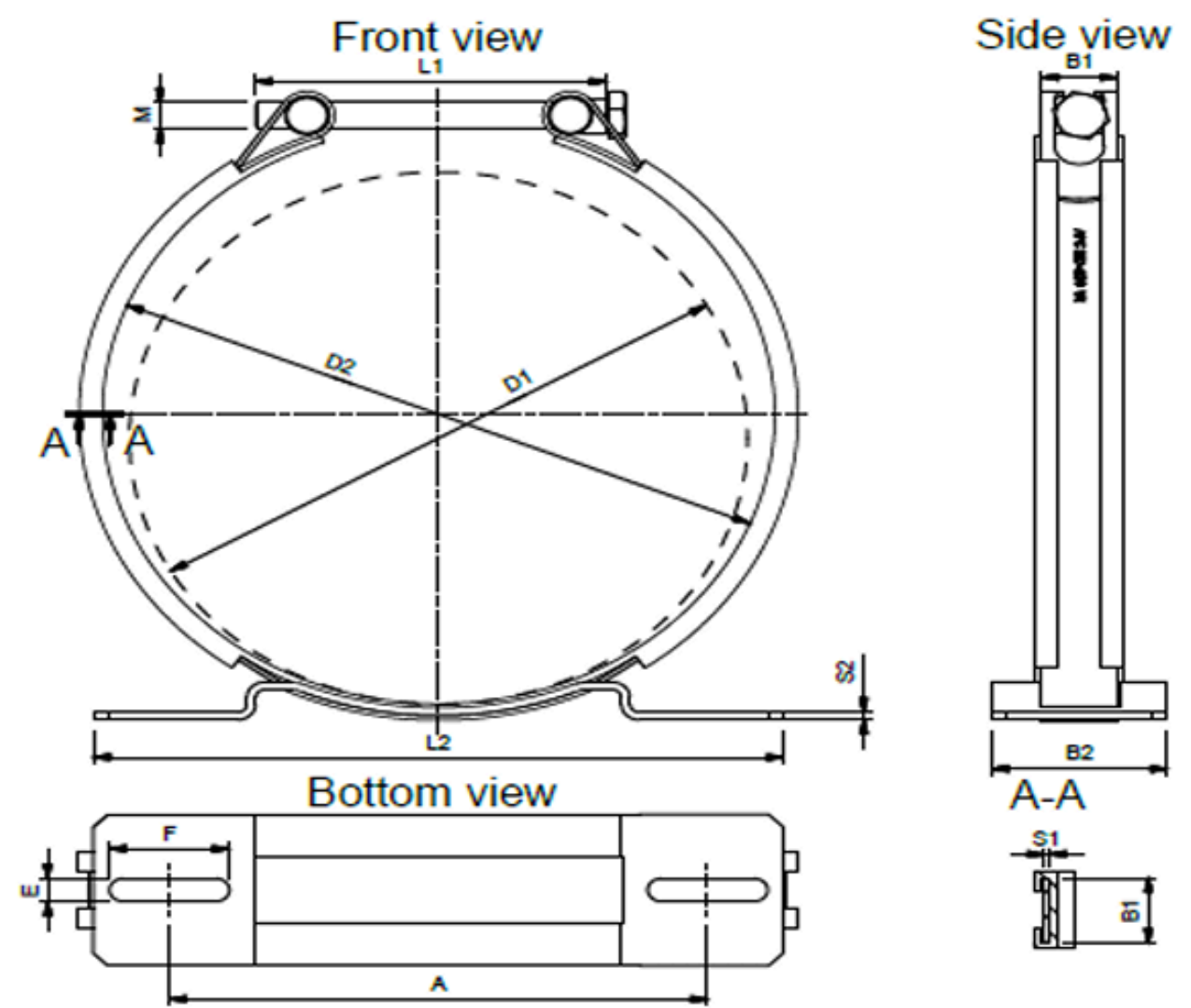
**Customer Support:** We understand the importance of exceptional customer service. Our experienced team is always available to assist with product selection, technical inquiries, and custom solutions. We work closely with our clients to ensure they receive the best products and support for their specific applications



# LIGHT DUTY



Console: Zinc plated, Mild Steel; AISI 430; AISI 304; AISI 316  
 Clamp: Zinc plated, Mild Steel; AISI 430; AISI 304; AISI 316  
 Rubber profile: EPDM; Neoprene; Silicon rubber



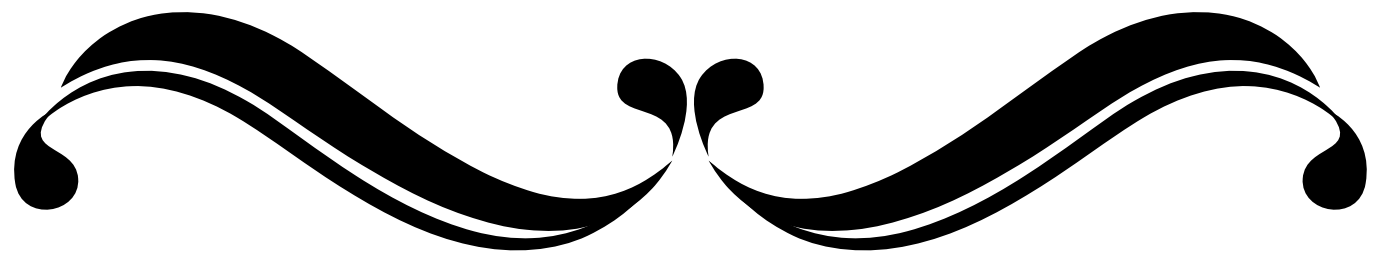
Clamp	Clamp	Band	Band	Thicknes s	Screw	Console	Console	Console	Pitch	Pitch	Adviced
Minimum	Maximum	Width	W1	W4	Size	Width	Length	Thickness	Size	hole size	Torque
D1	D2	B1	S1	S1	M	B2	L2	S2	A	E*F	
44	50	22	1.2	0.8	6	40	120	3	93	9*17	6 Nm
49	54	22	1.2	0.8	6	40	120	3	93	9*17	6 Nm
53	59	22	1.2	0.8	8	40	120	3	93	9*17	18 Nm
57	62	22	1.2	0.8	8	40	120	3	93	9*17	18 Nm
62	67	24	1.5	0.8	8	50	156	3	118	9*27	18 Nm
68	73	24	1.5	0.8	8	50	156	3	118	9*27	18 Nm
73	79	24	1.5	0.8	8	50	156	3	118	9*27	18 Nm
80	88	24	1.5	0.8	8	50	156	3	118	9*27	18 Nm
86	93	24	1.5	0.8	8	50	156	3	118	9*27	18 Nm
92	101	24	1.5	0.8	8	50	156	3	118	9*27	18 Nm
100	109	24	1.5	0.8	8	50	156	3	118	9*27	18 Nm
109	117	24	1.5	0.8	8	50	156	3	118	9*27	18 Nm



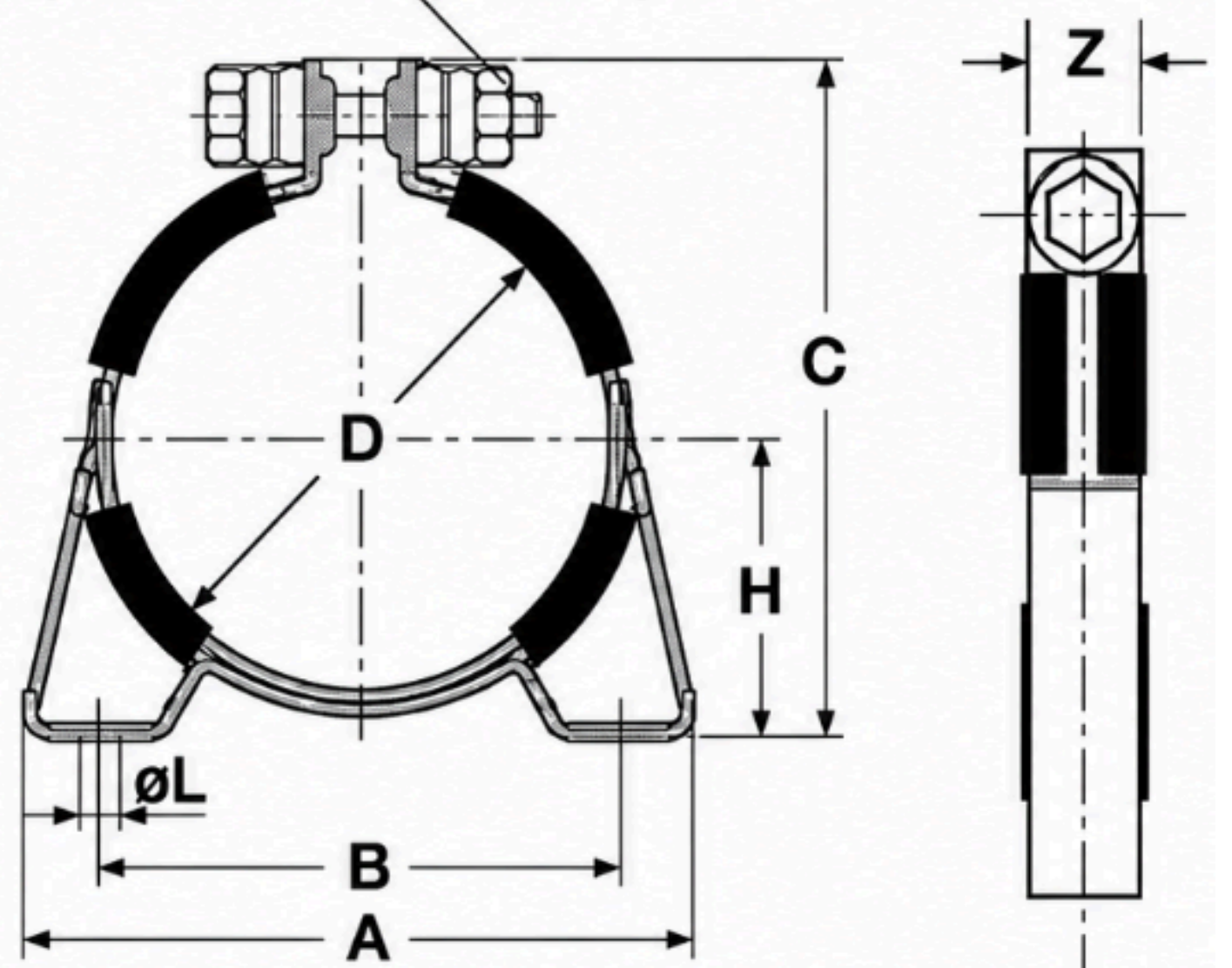
117	126	24	1.5	0.8	8	50	156	3	118	9*27	18 Nm
127	137	26	1.7	1	10	50	156	3	118	9*27	36 Nm
136	145	26	1.7	1	10	50	156	3	118	9*27	36 Nm
146	157	26	1.7	1	10	50	156	3	118	9*27	36 Nm
158	169	26	1.7	1	10	50	156	3	118	9*27	36 Nm
171	183	26	1.7	1	10	60	236	3	184	9*41	36 Nm
183	194	26	1.7	1	10	60	236	3	184	9*41	36 Nm
195	208	26	1.7	1	10	60	236	3	184	9*41	36 Nm
209	222	26	1.7	1	10	60	236	3	184	9*41	36 Nm
222	233	26	1.7	1	10	60	236	3	184	9*41	36 Nm
231	249	26	1.7	1	10	60	236	4	184	9*41	36 Nm
235	246	30	1.5	1.2	10	60	300	4	250	11*39	36 Nm
248	259	30	1.5	1.2	10	60	300	4	250	11*39	36 Nm
261	272	30	1.5	1.2	10	60	300	4	250	11*39	36 Nm
274	285	30	1.5	1.2	10	60	300	4	250	11*39	36 Nm
287	298	30	1.5	1.2	10	60	300	4	250	11*39	36 Nm
300	311	30	1.5	1.2	10	60	300	4	250	11*39	36 Nm
313	324	30	1.5	1.2	10	60	300	4	250	11*39	36 Nm
326	337	30	1.5	1.2	10	60	300	4	250	11*39	36 Nm
339	350	30	1.5	1.2	10	60	400	4	350	11*39	36 Nm
352	363	30	1.5	1.2	10	60	400	4	350	11*39	36 Nm
365	376	30	1.5	1.2	10	60	400	4	350	11*39	36 Nm
378	389	30	1.5	1.2	10	60	400	4	350	11*39	36 Nm
391	402	30	1.5	1.2	10	60	400	4	350	11*39	36 Nm
404	415	30	1.5	1.2	10	60	400	4	350	11*39	36 Nm
417	428	30	1.5	1.2	10	60	400	4	350	11*39	36 Nm
430	441	30	1.5	1.2	10	60	400	4	350	11*39	36 Nm
443	454	30	1.5	1.2	10	60	400	4	350	11*39	36 Nm
456	467	30	1.5	1.2	10	60	400	4	350	11*39	36 Nm
469	480	30	1.5	1.2	10	60	400	4	350	11*39	36 Nm
482	493	30	1.5	1.2	10	60	400	4	350	11*39	36 Nm



# HS - REGULAR DUTY CLAMP, WITH SINGLE CENTER ADJUSTMENT



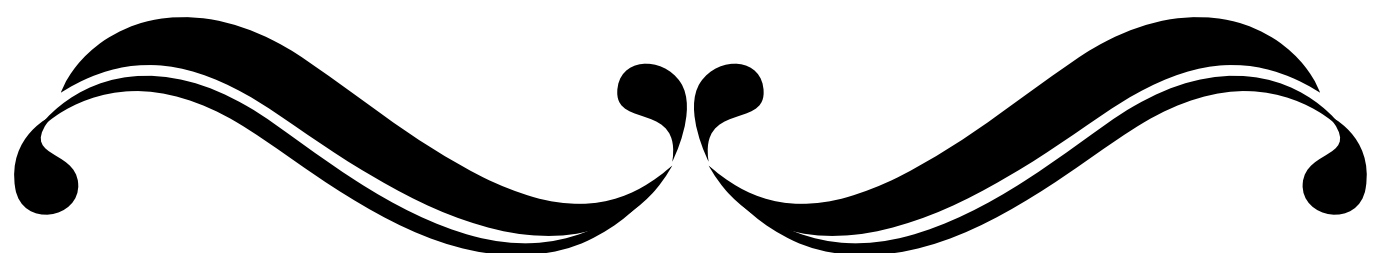
Torque to 20 Nm (15 lb-ft)



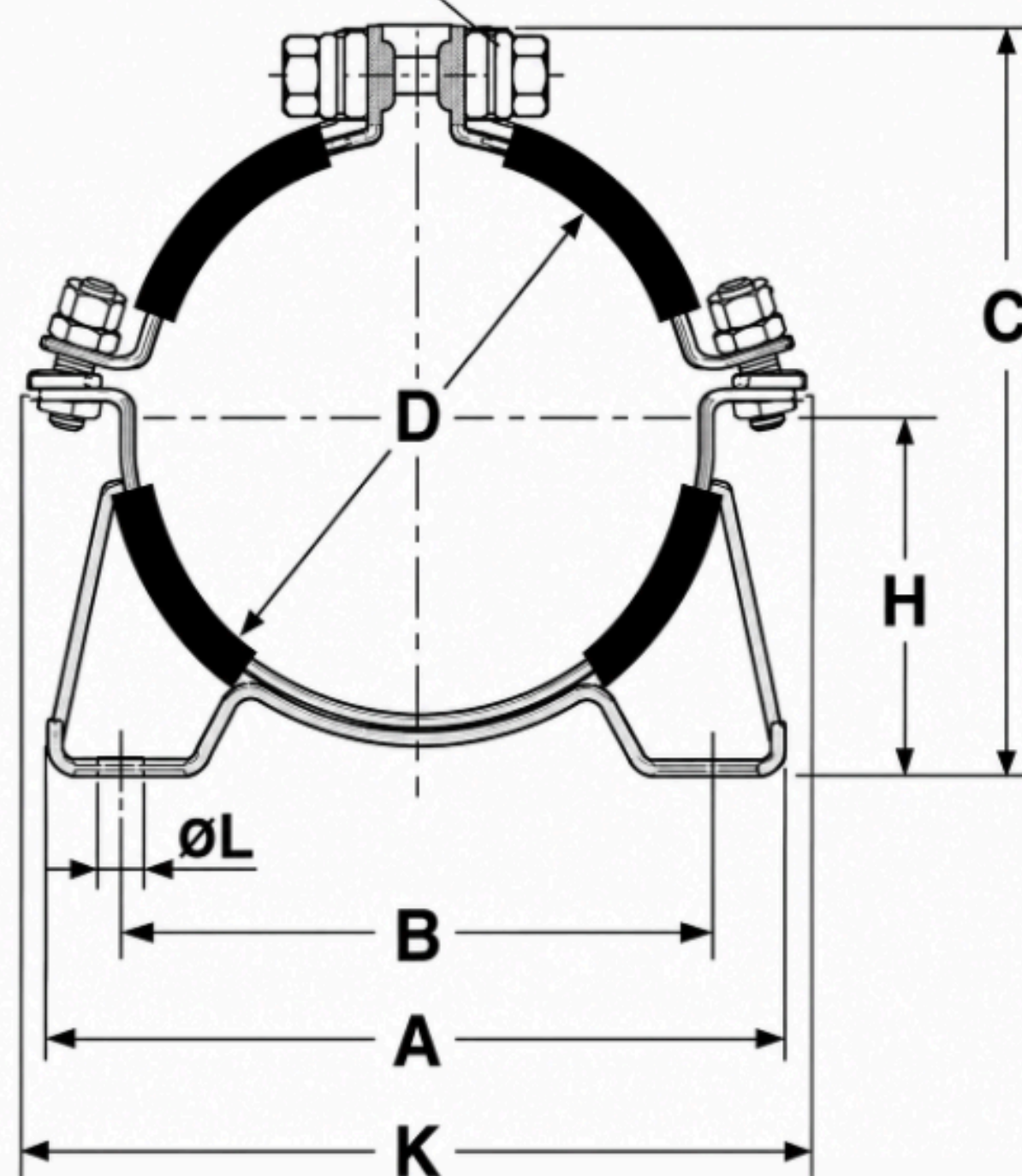
D	D (range)	A	B	C (ref.)	H	ØL	Z	Weight kg.(lbs)
167	164-170	185	153	211	92.5	9	30	0.9
6.57	6.46-6.69	7.28	6.02	8.31	3.64	0.35	1.18	2.0



# HSS - HEAVY DUTY CLAMP WITH TWO-PIECE CONSTRUCTION



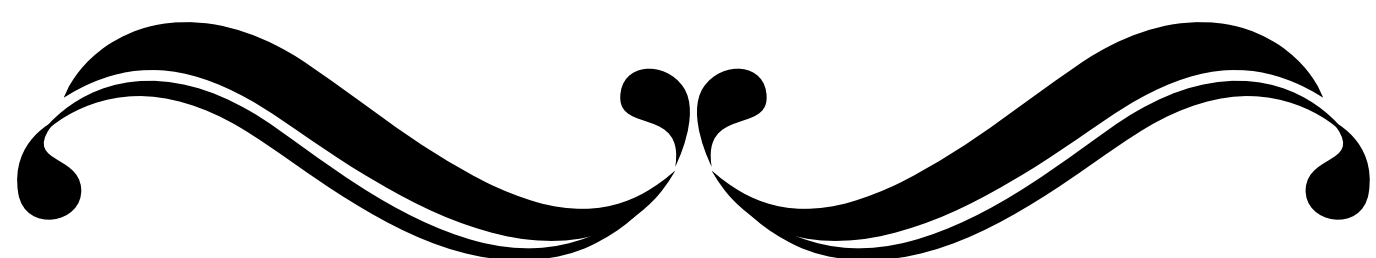
Torque to 35 Nm (26 lb-ft)



D	D (range)	A	B	C (ref.)	H	K	ØL	Z	Weight kg.(lbs)
219	216-222	268	216	240	123	285	15	40	1.7
8.62	8.50-8.74	10.55	8.50	9.45	4.84	11.22	0.59	1.57	3.8
226	220-231	270	216	244	123	295	15	40	1.7
8.90	8.66-9.10	10.63	8.50	9.61	4.84	11.61	0.59	1.57	3.8
242	231-242	268	216	265	136	305	15	40	1.7
9.53	9.10-9.53	10.55	8.50	10.43	5.35	12.01	0.59	1.57	3.8
286	283-289	332	280	314	163	355	15	40	2.1
11.26	11.14-11.38	13.07	11.02	12.36	6.42	13.98	0.59	1.57	4.6
310	307-313	332	280	333	170	380	15	40	2.1
12.20	12.09-12.32	13.07	11.02	13.11	6.69	14.96	0.59	1.57	4.6



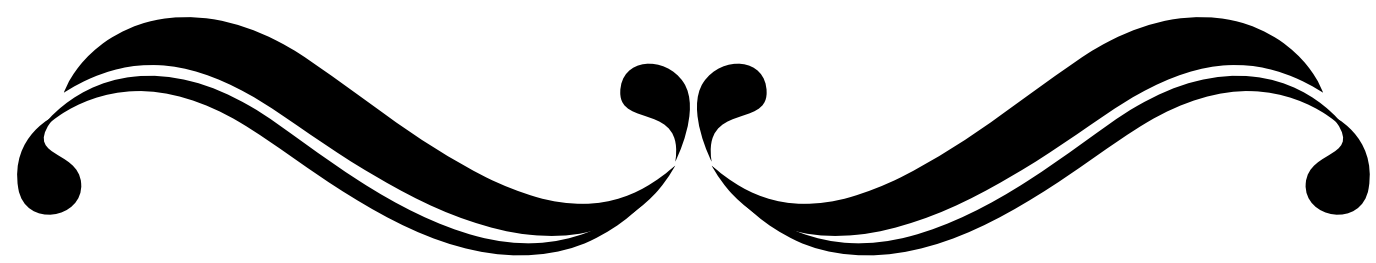
# QUICK RELEASE CONSOLE CLAMPS



Size	D	Type	H	c max	M	T	A	s	L	B	E	d
1	101-109	106	58.5-62.5	137	M8x80	25x1,0	156	3	18	100	50	9
	110-118	115	63.0-67.0	146								
	119-127	124	66.8-70.8	154								
	128-136	133	71.3-75.3	163								
	137-145	142	76.0-80.0	172								
	146-154	151	80.5-84.5	181								
	155-163	160	85.0-89.0	190								
2	163-171	169	90.1-94.1	200	M8x80	25x1,0	236	3	32	152	60	9
	167-175	173	92.1-96.1	204								
	172-180	178	94.6-98.6	209								
	181-189	187	98.4-102.4	217								
	186-194	192	100.9-104.9	222								
	190-198	196	102.9-106.9	226								
	199-207	205	107.4-111.4	235								
	208-216	214	111.2-115.2	243								
	217-225	223	115.7-119.7	252								
	226-234	231	120.2-124.2	261								
3	235-246	243	129.0-134.5	279	M10x90	30x1,0	300	4	28	222	60	11
	248-259	256	135.5-141.0	292								
	261-272	269	140.9-146.4	304								
	274-285	282	147.4-152.9	317								
	287-298	295	153.9-159.4	330								
	300-311	308	159.4-164.9	342								
	313-324	321	165.9-171.4	355								
	326-337	334	172.4-177.9	368								
	339-350	347	181.2-186.7	385								
4	352-363	360	187.7-193.2	398	M10x90	30x1,5	400	4	28	322	60	11
	365-376	373	194.2-199.7	411								
	378-389	386	200.7-206.2	424								
	391-402	399	205.2-210.7	435								
	404-415	412	211.7-217.2	448								
	417-428	425	218.2-223.7	461								
	430-441	438	224.7-230.2	474								
	443-454	451	229.4-234.9	485								
	456-467	464	235.9-241.4	498								
	469-480	477	242.4-247.9	511								
	482-493	490	248.9-254.4	524								
	495-506	503	255.4-260.9	537								



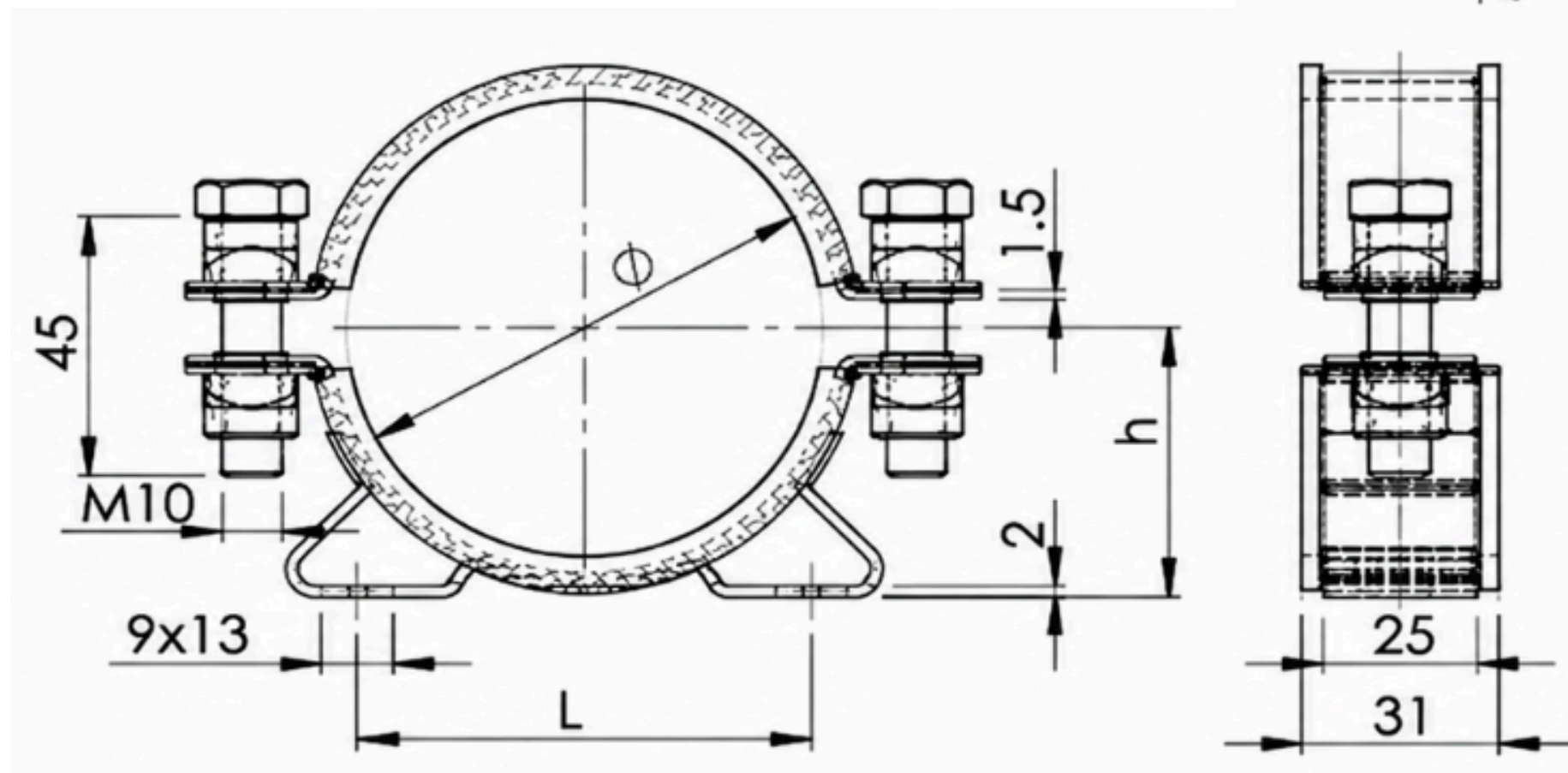
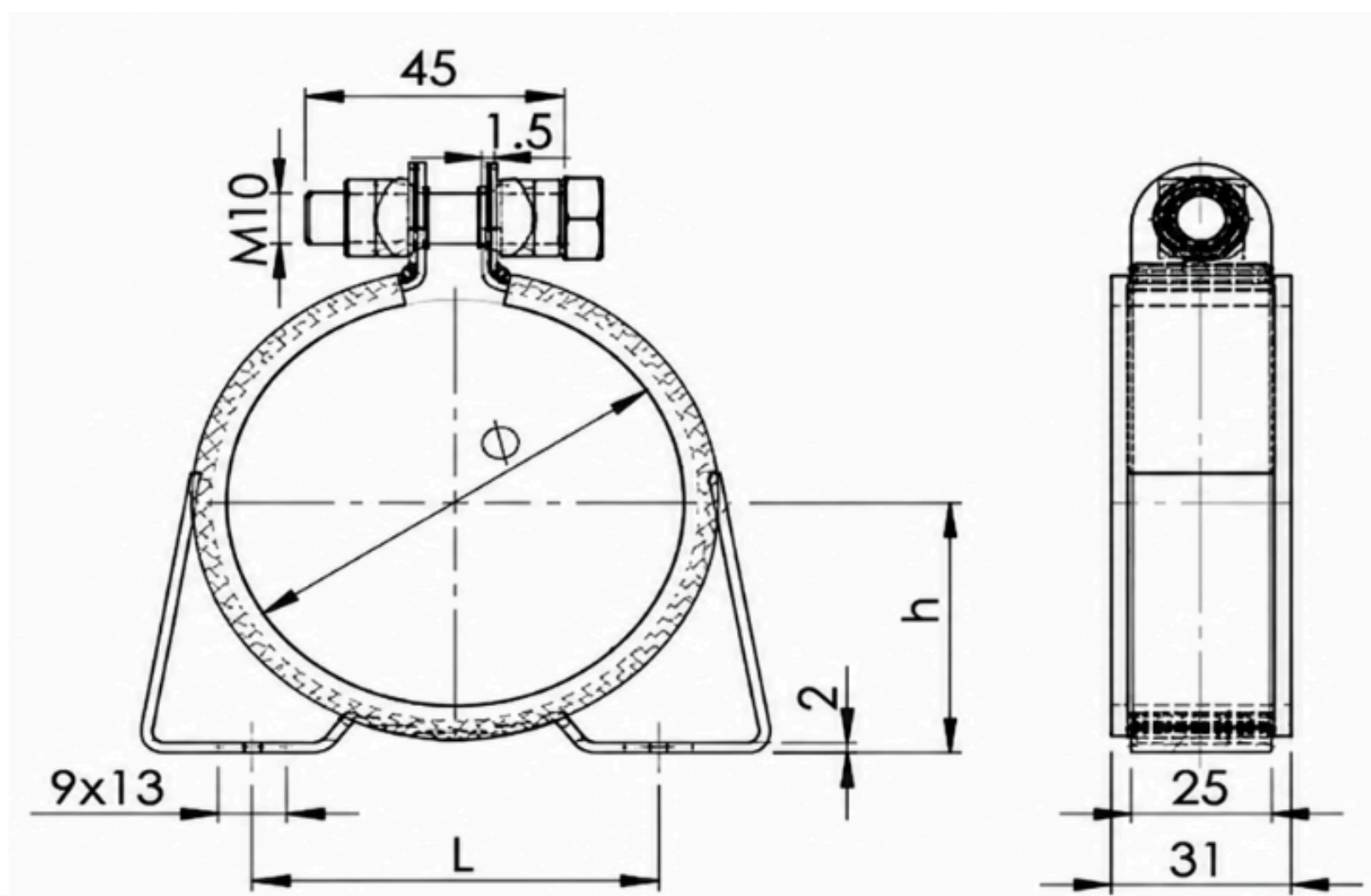
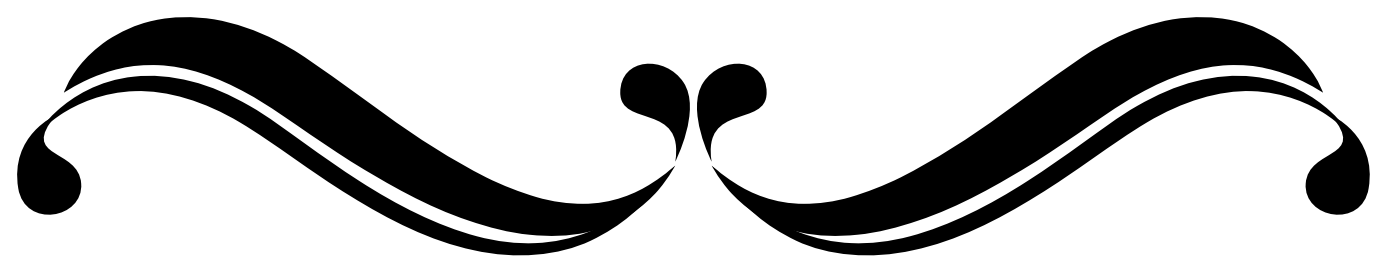
# QRC CONSOLE CLAMP



Size	D	Type	H	c max	M	T	A	s	L	B	E	d
0	44-46	47	29.8-32.3	67	M6x50	20x0,8	120	3	8	85	40	9
	46-49	50	30.8-32.3	69								
	51-54	55	33.3-34.8	75								
	55-58	59	35.3-36.8	77								
	58-61	62	37.3-38.8	83								
	62-65	65	38.0-39.5	85								
	66-69	69	40.0-41.5	89								
	70-73	73	42.0-43.5	93								
	73-76	76	43.5-45.0	96								
	77-80	80	45.5-47.0	100								
	81-84	85	47.0-48.5	104								
	85-88	89	49.0-50.5	108								
	89-92	93	51.0-52.5	112								
	92-95	96	52.5-54.0	115								
96-100	100	54.5-56.5	120									



# LIGHT DUTY RAISED CONSOLE CLAMP

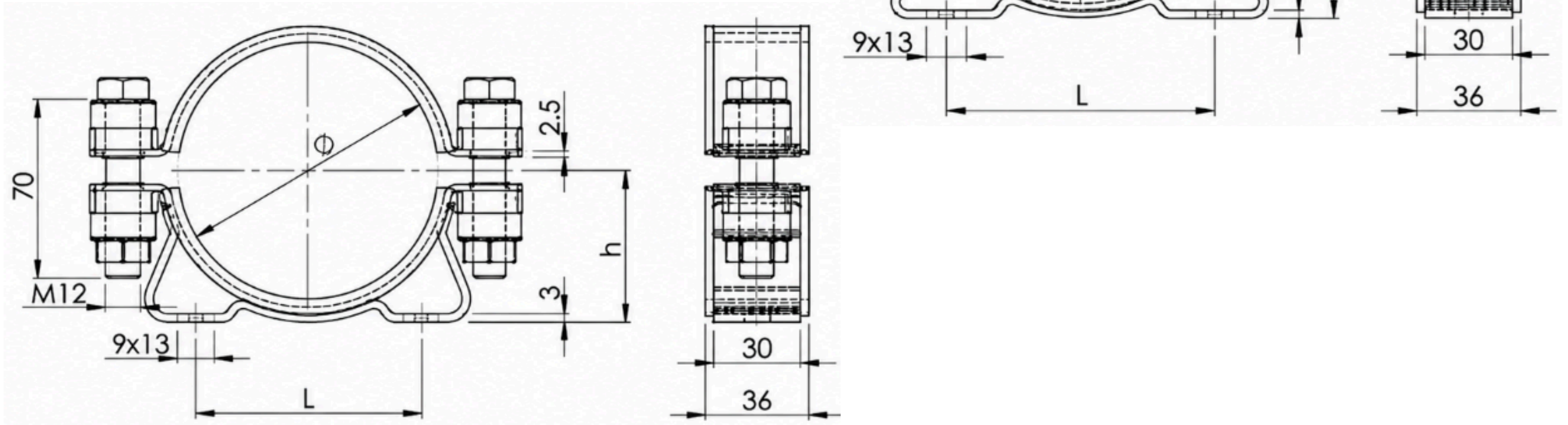


$\varnothing$	h~	L $\pm$ 2	Order code 1-piece
50	33.5	70	5001 50
52	34.5		5001 52
54	35.5		5001 54
56	36.5		5001 56
58	37.5		5001 58
60	38.5		5001 60
62	39.5		5001 62
64	40.5		5001 64
66	41.5	80	5001 66
68	42.5		5001 68
70	43.5		5001 70
72	44.5		5001 72
74	45.5		5001 74
76	46.5		5001 76
78	47.5		5001 78
80	48.5		5001 80

$\varnothing$	h~	L $\pm$ 2	Order code 2-piece
80	50.5	80	5002 80
82	52.5		5002 82
84	54.5		5002 84
86	56.5		5002 86
88	58.5		5002 88
90	60.5		5002 90
92	62.5		5002 92
94	64.5		5002 94
96	66.5		5002 96
98	68.5		5002 98
100	70.5		5002 100
102	72.5		5002 102



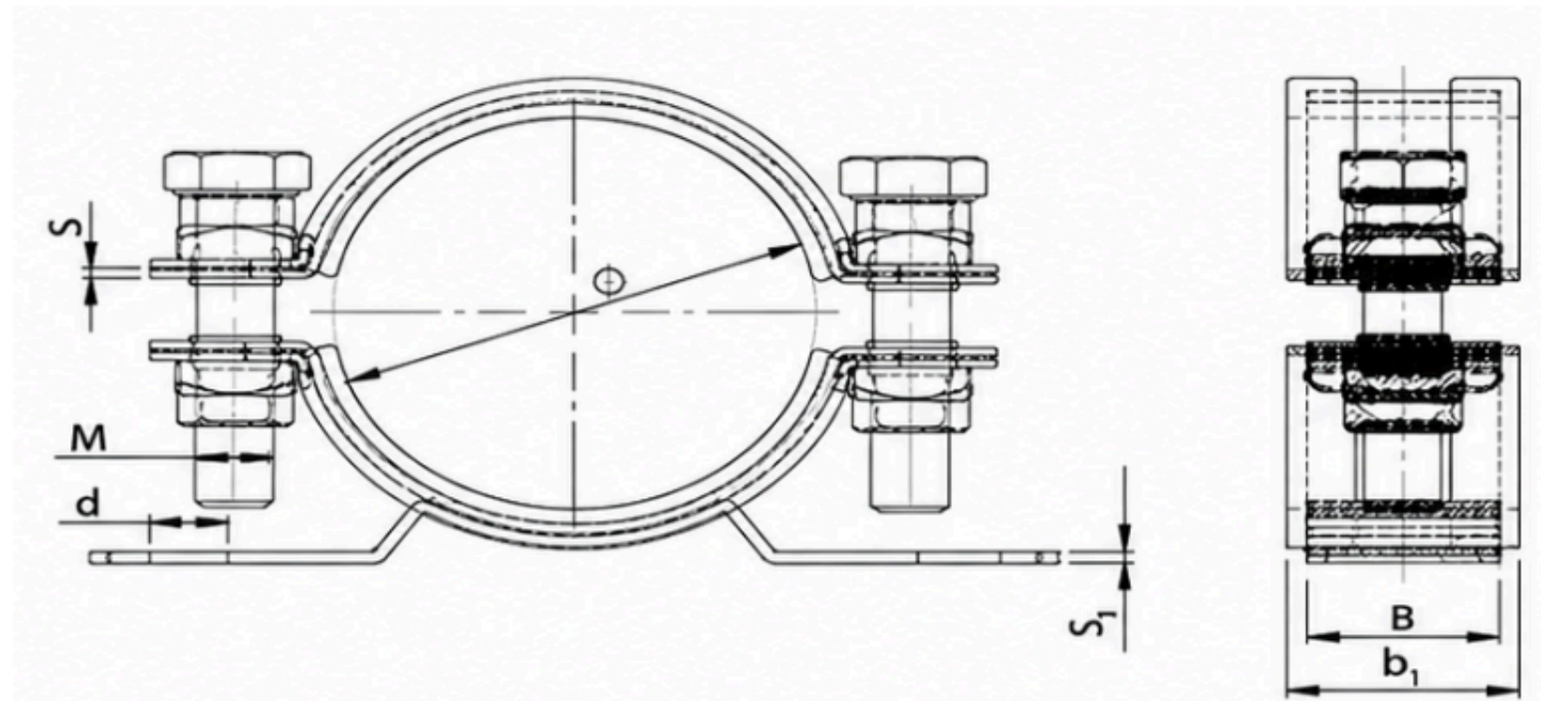
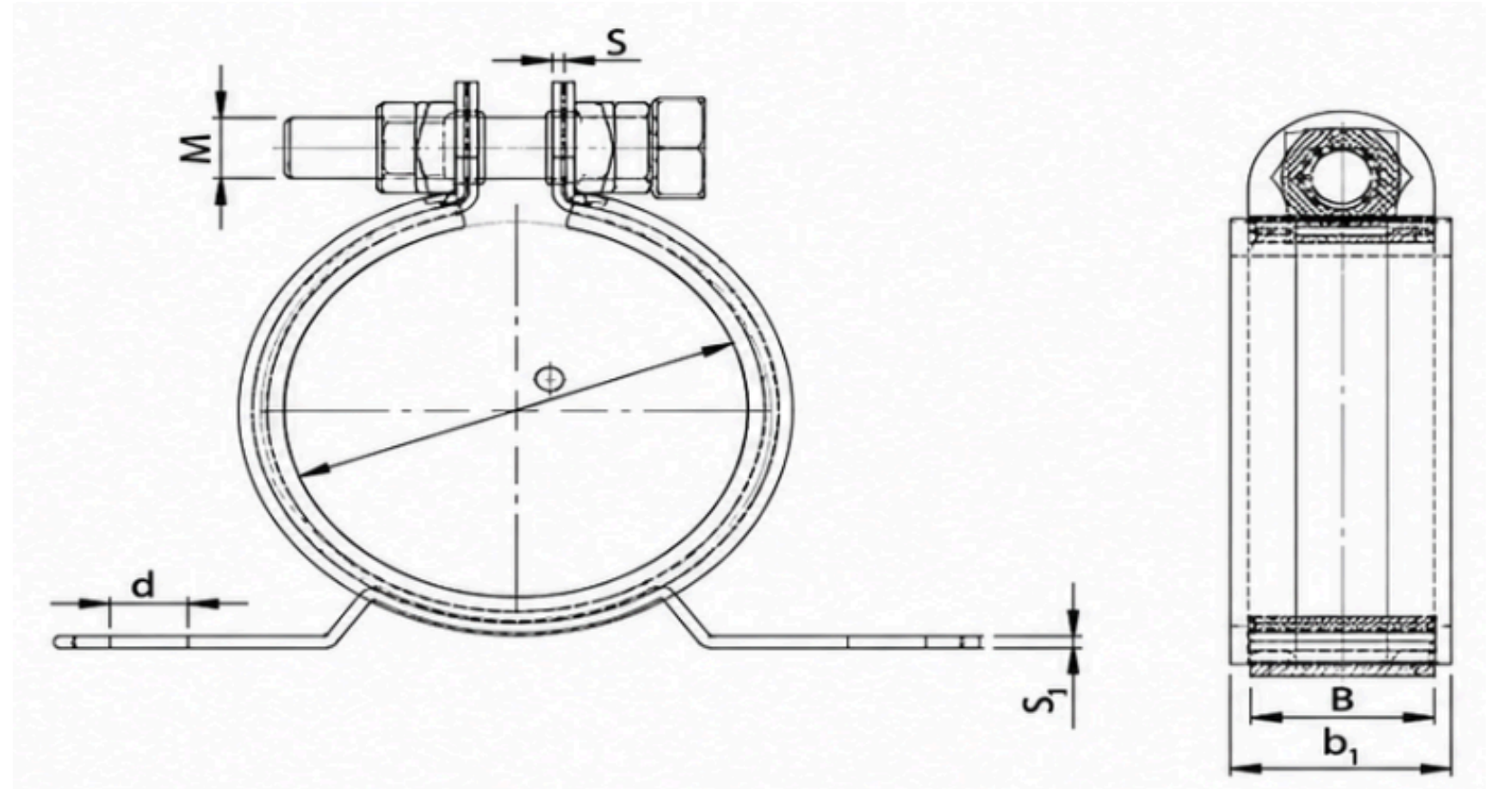
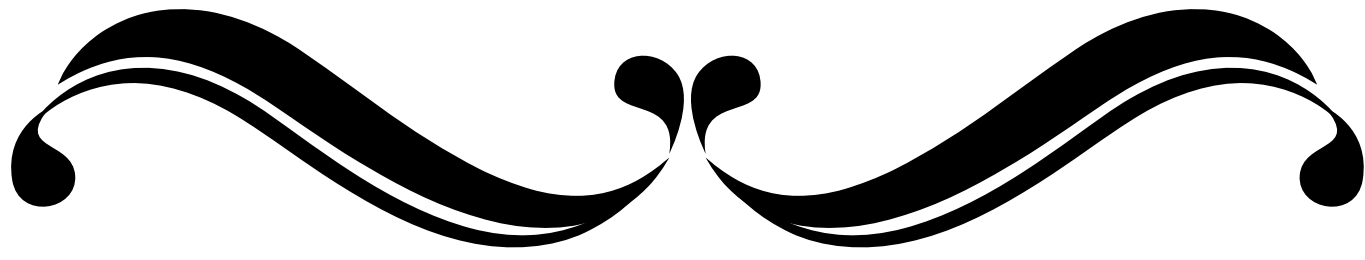
# HEAVY DUTY RAISED CONSOLE CLAMP



Ø	h~	L ± 1	Order code	
			1-piece	2-piece
080	48	82	6001 080	-
085	51		6001 085	-
089	53	90	6001 089	-
092	51		6001 092	-
095	56		6001 095	-
098	58		6001 098	-
100	58		6001 100	-
102	60		6001 102	-
108	62	100	6001 108	6002 108
110	63		6001 110	6002 110
112	64		6001 112	6002 112
113	65		6001 113	6002 113
114	66		6001 114	6002 114
115	66		6001 115	6002 115
117	67		6001 117	6002 117
120	69		6001 120	6002 120
121	69		6001 121	6002 121
124	71		6001 124	6002 124

Ø	h~	L ± 1	Order code	
			1-piece	2-piece
128	73	136	6001 128	6002 128
130	73		6001 130	6002 130
133	75		6001 133	6002 133
135	76		6001 135	6002 135
136	77		6001 136	6002 136
139	78		6001 140	6002 140
145	81		6001 145	6002 145
146	82		6001 146	6002 146
150	83		6001 150	6002 150
152	85		148	6001 152
154	85	6001 154		6002 154
159	88	6001 159		6002 159
160	89	6001 160		6002 160
163	90	6001 163		6002 163
165	91	6001 165		6002 165
167	92	6001 167		6002 167
168	93	6001 168		6002 168

# OPEN CONSOLE CLAMP

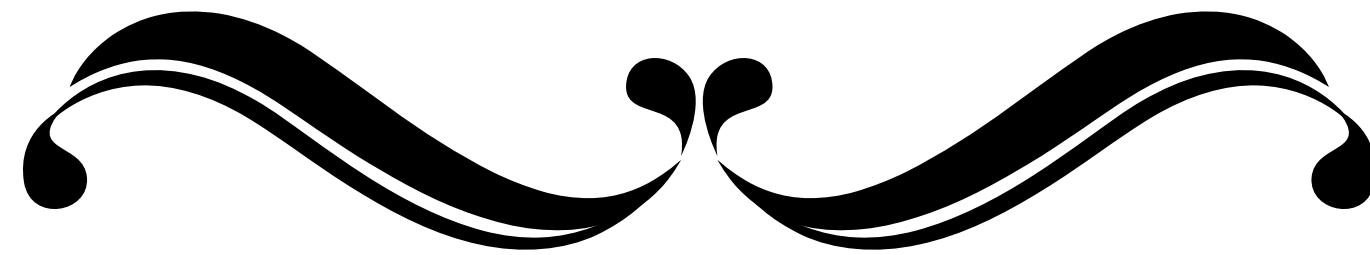


B	S			Minimum ø mm	d	S <sub>3</sub>	Screw type		Dimensions
	W1	W4	W5				Sz	Sk	
15	0.8	0.6	0.6	25	6.5	1	x	x	M6 x 30
20	1.25	0.8	0.8	30	8.5	2	x	x	M8 x 40
25	1.50	1.0	1.0	50	11	2	-	x	M10 x 45
30	2.50	2.50	2.50	80	13	3	-	x	M12 x 70
30	4	3.0	3.0	100	13	4	-	x	M12 x 70
40	4	3.0	3.0	100	13	5	-	x	M12 x 70

B	S			Minimum ø mm	d	S <sub>3</sub>	Screw type		Dimensions
	W1	W4	W5				Sz	Sk	
30	4	3.0	3.0	100	13	4	-	x	M12 x 70
40	4	3.0	3.0	100	13	5	-	x	M12 x 70



# Contact Us



REX Consolidated  
80 DLF Industrial Area Phase 1  
Faridabad Haryana-121003  
India

© Copyright 2022 Invicta India Pvt. Ltd.

All information and data stated in this Product Range document has been compiled with utmost care. Nevertheless, Invicta accepts no liability for any errors, omissions or other inaccuracies contained herein. Subject to change without notice. Reprinting or reproduction, in whole or in part, including of photographs, illustrations or graphics, is not permitted without the prior written consent of Invicta India Pvt. Ltd.. We reserve all rights in connection with this document.

Any similarity or resemblance is unintended and is merely a coincidence. The vehicle applications cited in this Product Range document may possibly be valid only up to the date printed on the last of the document. All references made in this Product Range document to the item numbers of vehicle manufacturers and/or competitors are provided for the purpose of comparison only. Such information is not allowed to be used in invoices issued to vehicle owners.

For enquiries, please email us : [rahul@invictaindia.com](mailto:rahul@invictaindia.com)

All drawings & illustrations are the property right of INVICTA and cannot be copied, duplicated or re-printed in any form without the prior written consent from INVICTA

Invicta Copyright @ 2022  
All Right Reserved

