

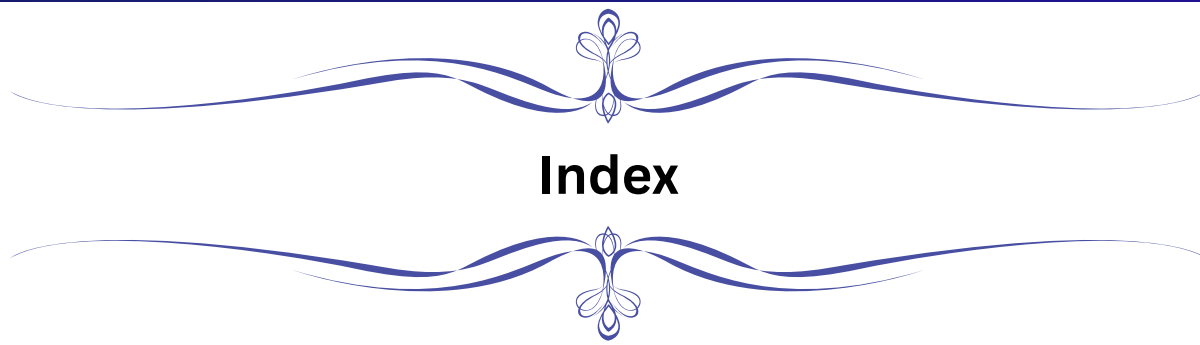
Clamp Catalogue





Index

Section / Product	Page No.
About Us	13-14
Why Choose Invicta?	15
RELIABLE QUALITY	16
SUPERIOR ENGINEERING	17
Universal U Bolt Pipe Clamps / Universal Exhaust Clamps (M8 / M10)	18
Universal U Bolt Pipe Clamps with Consolidation (M8 / M10)	19
$\frac{3}{8}$ " UNC Heavy Duty Double-Edge Closed-End U Bolt Clamp (Round or Flat U Bolt)	20
$\frac{3}{8}$ " UNC Heavy Duty Double-Edge Open End U Bolt Clamp (Round or Flat U Bolt)	21
ARS Pipe Clamp (Volvo Exhaust Clamp)	22
Ribbed Saddle U Bolt Clamp	23



Index

Section / Product	Page No.
Guillotine Style Muffler Clamp	24
DIN 71555 Clamp	25
SEAL CLAMP	26
FLAT CLAMP	27
Flexible Tight-Seal Clamp / Lap Joint Clamp	28
RXD Drainage Clamp	29
Flexible Fit Clamp Buttfitted	30
INVICTA T-Bolt Hose Clamp	31
DTS Series Circular Band Clamp	32
MINI CLAMP Jaw Fastening Clamp (DIN 3016-2, DIN 3017-2)	33
Flexible Fit Clamp Standard	34
Clamp Collar Hook for Swings (Round)	35





Index

Section / Product	Page No.
Clamp Collar Hook for Swings (Square)	36
Heavy Duty Clamp (VAG Exhaust Clamp)	37
Hinge Clamp	38
Worm Drive Hose Clamp (in accordance with DIN3017-1)	39
Constant Torque Worm Drive Clamp	40
Mini Hose Clamp	41
Tight Fit Clamp	42
Pipe Fit Clamp	43
Double Wire Clamp	44
RSS Clamp	45
FLAT CLAMP BUTTFIT	46
FLAT SEAL CLAMP COUPLER / BUTT JOINT CLAMP	47



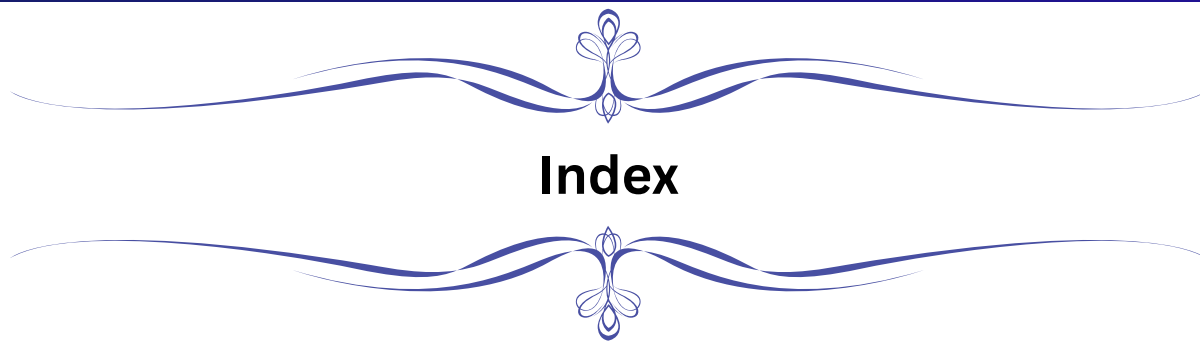
Index

Section / Product	Page No.
BALL ZONE EXHAUST GAS CLAMP	48
CIRCLE CLAMP	49
P-Type Pipe Clamps	50
Spring-Loaded T-Bolt Clamp	51
Lined Hose Clamp	52
Spring Steel Wire Hose Clamp	53
P-Clips (in accordance with DIN3016)	54
DIN4109 Split Clamp	55
Cotter Pin Hose Clamp 5mm and 9mm	56
Heat Shield Clamp	57
Thumb Turn Screw Worm Drive Hose Clamp	58
Single Ear Clip	59



Index

Section / Product	Page No.
Quick Release Worm Drive Hose Clamp	60
Spring Insert Worm Drive Hose Clamp	61
PSA Exhaust Clamps (Peugeot / Citroen / Renault Applications)	62
Mercedes Exhaust Clamps	63
Adjustable Exhaust Clamp	64
Silencer Straps	65
D-TYPE Exhaust Clamps (Mercedes / Iveco Applications)	66
C-TYPE Exhaust Clamps (Mercedes / Iveco Applications)	67
Citroen Exhaust Clamp	68
Renault Exhaust Clamp	69
DAF U-Bolt Clamp	70
M10 Ford Exhaust Clamp	71



Index

Section / Product	Page No.
Heavy-Duty Hose Clamp (Double Band)	72
Saddle Fastening Clamp / Pipe Bracket (DIN 1592/1593/1596/1597).	73
Custom Designed Clamps and Product Development	74
TOYOTA EXHAUST CLAMP	75
SPRINKLER CLAMP	76
NO HUB COUPLING	77
U-CLIP	78
TURN BUCKLES	79
LIGHT FASTENING CLAMPS	80-81
DIN3567 CLAMP	82
DOUBLE BOLT DIN CLAMP	83
STRAPS & STRAP ASSEMBLIES	84-86





Index

Section / Product	Page No.
DIN3015 CLAMP LIGHT DUTY CLAMP	87
DIN3015 CLAMP HEAVY DUTY CLAMP	88
BIS STRUT STAINLESS STEEL BEAM CLAMP	89
SCANIA CLAMP	90
TWIST CLAMP	91
VIP SILENCER EXHAUST CLAMP	92
RECTANGULAR DOUBLE T-BOLT CLAMP	93
OBLONG SPRING LOADED DOUBLE T-BOLT CLAMP	94
OBLONG SPRING LOADED DOUBLE T-BOLT CLAMP	95
HEAVY DUTY HOSE CLAMP	96
DOUBLE HEAVY DUTY HOSE CLAMPS	97
NARROW TYPE HEAVY DUTY HOSE CLAMP	98



Index

Section / Product	Page No.
BATTERY TERMINAL	99
CLIP	100
COUPLINGS SINGLO/DOUBLO CASSETTE PIPED PATCH	101-104
SPIRAL BOLT HOSE CLAMP	105
THROBING CLAMP	106
CLIC	107
EAR. LOW PROFILE. 2-EAR. MINI. SPRING. CLIC CLAMP	108
DPF COUPLER CLAMP	109
Citroen / Peugeot / Mini Clamps	110
Flex joiner Clamp	111
3 Hole type Exhaust Plate	112
Bridge Clamp / Worm Gear Band	113



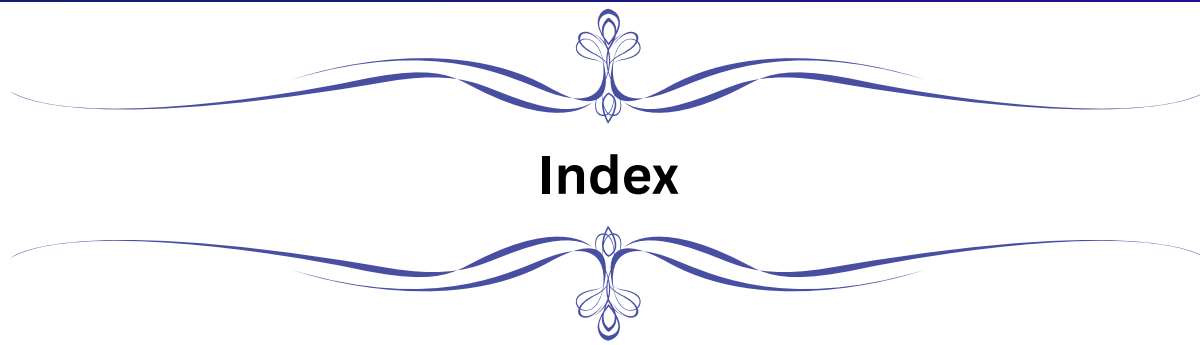
Index

Section / Product	Page No.
CUSHION CLAMP	114
TOOTHED CLAMP	115
DG2 PIPE CLAMPS WITH WELDING WOOD SCREW	116-117
TORK G CLAMPS	118
STRIP STEEL & LOCKING DEVICE 9MM	119
Custom Clamps	120
Sleeves and Coupling	121-126
Mounting Strap	127
Band Clamp with T Bolt & Formed Tongue	128
Band Clamp with Lever and Tongue	129
B2B style Clamp	130
Band Clamp with Qucik Realease & Tongue	131
Band Clamp T Bolt And Tongue	132



Index

Section / Product	Page No.
Band Clamp T Bolt And Formed Tongue	133
Band Clamp	134
Mounting Strap	135
Band Clamp With Quick Release	136
Mounting Strap	137-138
Band Clamp Qucik Release No tongue	139
Band Clamp Qucik Release No tongue	140
Mounting Strap	141
Band Clamp Quick Release No Tongue	142
Band Clamp With Quick Release & Tongue	143
Band Clamp T Bolt No tongue	144
Band Clamp Square with No Tongue	145



Index

Section / Product	Page No.
Barrel Hardware Clamp	146
Multi-Purpose Clamps	147
Single Ear Clamp	148
Stainless Steel Retaining Clamp	149
Constant Pressure Worm Drive Clamp	150
High Torque Worm Drive Clamp	151
Certifications	152
Contact US	153





About Us



All drawings & illustrations are the property right of INVICTA and cannot be copied, duplicated or re- printed in any form without the prior written consent from INVICTA The content and intellectual property of this catalogue is the property of Invicta India Pvt. Ltd. Invicta Clamps : All Right Reserved



About Us



Headquartered in Delhi, India, Invicta Clamps is a specialist manufacturer and supplier of precision clamping solutions for industrial and automotive applications. With roots going back to 1980, we bring over four decades of engineering expertise to every product we make.

Our catalogue spans 20,000+ product configurations across clamps, exhaust system components, rubber components, and custom clamping solutions – serving customers in automotive, commercial vehicles, agriculture, HVAC, marine, construction, and industrial sectors.

ISO certified and export-ready, Invicta Clamps supplies distributors, aftermarket networks, and OEM customers across India and international markets including the Middle East and South East Asia.

Headquartered in Delhi, India, Invicta Clamps is a specialist manufacturer and supplier of precision clamping solutions for industrial and automotive applications. With roots going back to 1980, we bring over four decades of engineering expertise to every product we make.

Our catalogue spans 20,000+ product configurations across clamps, exhaust system components, rubber components, and custom clamping solutions – serving customers in automotive, commercial vehicles, agriculture, HVAC, marine, construction, and industrial sectors.

ISO certified and export-ready, Invicta Clamps supplies distributors, aftermarket networks, and OEM customers across India and international markets including the Middle East and South East Asia.



Why Choose Invicta?

Precision manufacturing – all products built to stringent dimensional tolerances with consistent batch-to-batch quality.

Material flexibility – available in Mild Steel, SS 304 (1.4301), SS 409 (1.4512), SS 316, Zinc-plated, and Chrome-plated variants.

Custom sizing – bespoke dimensions available on request with short lead times.

Temperature-rated products – exhaust clamps rated for continuous service from -40°C up to 650°C.

Pre-assembled solutions – supplied with DIN 934 or serrated flange nuts, ready for installation.

Export experience – supplying automotive aftermarket distributors across the Middle East and South-East Asia.

CERTIFICATIONS & STANDARDS

ISO 9001:2015 | DIN Standards | SAE Standards

Certificate available on request

INDUSTRIES SERVED

Automotive & CV · Exhaust Systems · Agriculture · HVAC & Plumbing · Marine · Construction · White Goods · Railway



RELIABLE QUALITY

There is a reason why Invicta Clamps are the first choice for engineers and procurement professionals around the world. Our relentless focus on quality — combined with internationally certified facilities and processes — ensures that every customer receives products of consistently superior standard.

Approximately 95% of our products are manufactured on fully automated machinery, delivering a low error rate and exceptional dimensional consistency across every batch. At Invicta, quality is not an afterthought. We apply a stringent quality management system at every stage — from initial design and engineering development through to final assembly and packaging — so that what leaves our facility is exactly what our customers expect to receive.



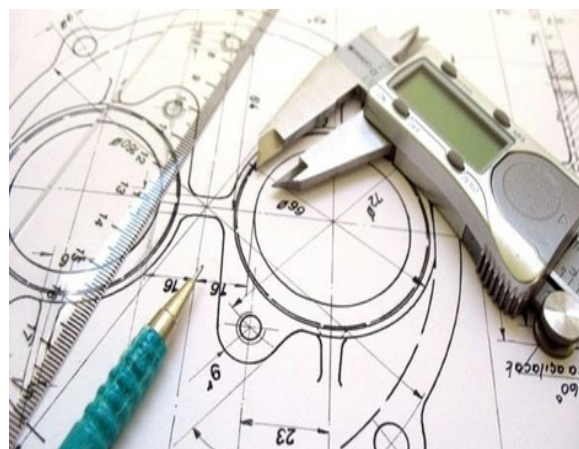


SUPERIOR ENGINEERING

At Invicta, every product begins with precision. Our design process is anchored in computer-aided design (CAD) and advanced simulation tools, enabling our engineering team to develop the most efficient and technically optimal solutions for every clamping application.

We use the latest design and analytical software systems to model stress, load distribution, and material performance before a single prototype is built. Once a design is finalised, prototypes undergo comprehensive testing at our in-house laboratory — validating performance across temperature, pressure, vibration, and corrosion parameters — before any product enters series production.

This engineering discipline is what separates Invicta from the market. It is how we deliver clamping solutions that perform reliably in the most demanding environments on earth.





Universal U Bolt Pipe Clamps / Universal Exhaust Clamps (M8 / M10)

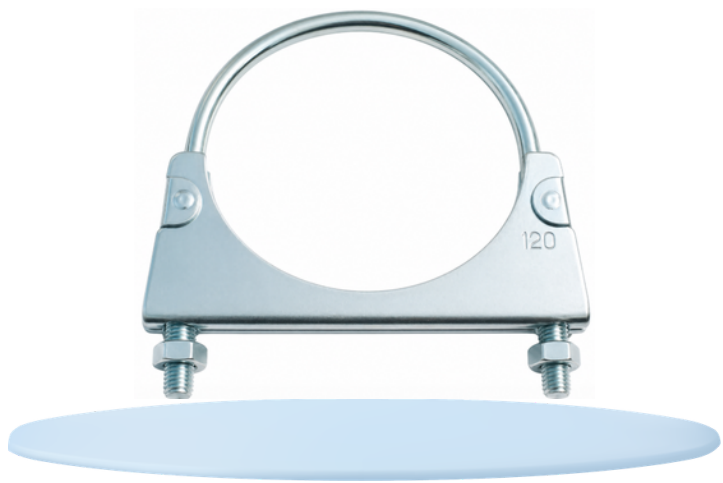


Available in : Zinc Plating, Chrome Plating, Stainless Steel 304 Custom Sizes Available on Request Pre-Assembled with 2 DIN934 Nuts Applications : Exhaust Systems, TV Antennas, Signage Mountings

Size (in MM)						
26mm	40mm	52mm	65mm	85mm	106mm	135mm
28mm	41mm	54mm	67mm	89mm	107mm	140mm
32mm	42mm	57mm	70mm	92mm	114mm	142mm
35mm	45mm	58mm	75mm	95mm	120mm	165mm
36mm	48mm	60mm	80mm	99mm	127mm	200mm
38mm	50mm	63mm	83mm	102mm	130mm	



Universal U Bolt Pipe Clamps with Consolidation (M8 / M10)

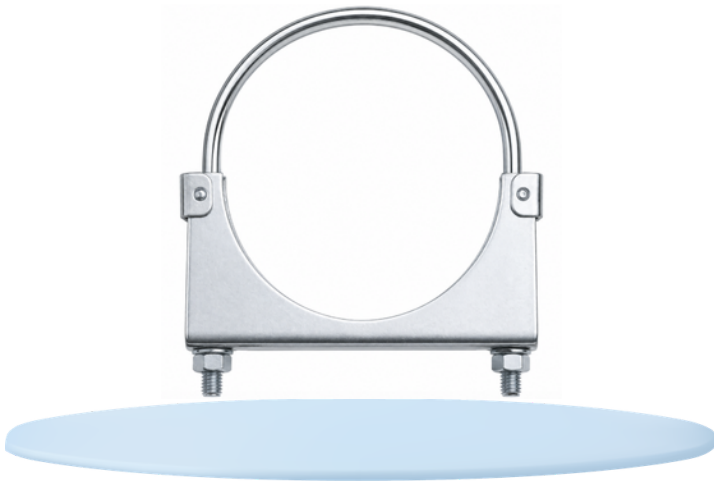


Available in : Zinc Plating, Chrome Plating, Stainless Steel 304 Custom Sizes Available on Request Pre-Assembled with 2 DIN934 Nuts Applications : Exhaust Systems, TV Antennas, Signage Mountings Double Edge Consolidation provides added safety and strength by restricting the saddle from expanding. The welded strips eliminate the possibility of having the clamp come off.

Size (in MM)		
70 MM S/W	102 MM S/W	135 MM S/W
76 MM S/W	105 MM S/W	140 MM S/W
80 MM S/W	106 MM S/W	142 MM S/W
83 MM S/W	110 MM S/W	145 MM S/W
85 MM S/W	115 MM S/W	150 MM S/W
88 MM S/W	120 MM S/W	155 MM S/W
90 MM S/W	124 MM S/W	160 MM S/W
92 MM S/W	125 MM S/W	165 MM S/W
95 MM S/W	128 MM S/W	200 MM S/W
100 MM S/W	130 MM S/W	



3/8" UNC Heavy Duty Double-Edge Closed-End U Bolt Clamp (Round or Flat U Bolt)



Available in : Zinc Plating, Stainless Steel 304, or Carbon Steel Ungalvanised (coated with oil) Pre-assembled with Serrated Flange Nuts Applications : Exhaust Systems, TV Antennas, Signage Mountings Double Edge Consolidation provides added safety and strength by restricting the saddle from expanding. The welded strips eliminate the possibility of having the clamp come off. Custom Sizes Available on Request

Available Sizes (inch)

3.00"

3.25"

3.50"

4.00"

4.50"

5.00"

5.50"

6.00"



3/8" UNC Heavy Duty Double-Edge Open End U Bolt Clamp (Round or Flat U Bolt)



Available in : Zinc Plating, Stainless Steel 304, or Carbon Steel Ungalvanised (coated with oil) Suitable for a wide range of non slotted pipe diameters. Pre-assembled with Serrated Flange Nuts Applications : Exhaust Systems, TV Antennas, Signage Mountings Suitable for Lap Style Joint Connections Custom Sizes Available on Request

Available Sizes (inch)

3.00"

3.25"

3.50"

4.00"

4.50"

5.00"

5.50"

6.00"



ARS Pipe Clamp (Volvo Exhaust Clamp)



Available in : Zinc Plating, Chrome-Plating, Stainless Steel 304 Bolt : M8 or M10 or M12 Hexagon Head Bolt (depending on diameter) Pre-assembled with screw, nut, and 2 plain washers Superior engineering of the clamp band ensures even pressures across the pipe circumference Single Bolt Closure allows for easy installation. This clamp offers a secure and reliable connection for pipes that are fitted into one another. It is also a highly reliable choice for pipes that subject to temperature fluctuations. Applications : Agricultural Machines, Building Machines, Exhaust Systems, Engine Manufacturing Technical Data Sheets and Drawings are available upon request.

Available Sizes (mm)				
27MM	49.1MM	67MM	85MM	114MM
30MM	51MM	69MM	87MM	120MM
33MM	54.5MM	70MM	90MM	128MM
36MM	55MM	71MM	94MM	135MM
38MM	56MM	73MM	96MM	142MM
42MM	58MM	74MM	100MM	147MM
45MM	61MM	77MM	104MM	159MM
47MM	63MM	80MM	107MM	
48MM	64MM	83MM	110MM	



Ribbed Saddle U Bolt Clamp



Available in : Zinc Plating, Stainless Steel 304, or Ungalvanised (coated with oil)
 Available in : 3/8" UNC or 5/16" UNC Rolled Thread Round U Bolts Pre-assembled with Serrated Flange Nuts Applications : Exhaust Systems, TV Antennas, Signage
 This clamp offers a lightweight alternative with outstanding strength and sealability. Available optionally with slotted holes. Also available in 11 GA Steel
 Custom Sizes Available on Request

Available Sizes (Inch)		
1 1/8"	2.00"	4.00"
1.25"	2 1/8"	5.00"
1 3/8"	2.25"	6.00"
1.50"	2.50"	
1 5/8"	2.75"	
1.75"	3.00"	
1 7/8"	3.50"	



Guillotine Style Muffler Clamp



Available in : Trivalent Zinc Plating, Nickel Chrome-Plating, Stainless Steel 304 U Bolt : $\frac{3}{8}$ " UNC Round or $\frac{3}{8}$ " UNC Flat Features: ● Superior sealability and versatility Provides a complete 360 degree heavy duty seal.

Available Sizes (Inch)	
2 in.	3.88 in.
2 ¼ in.	4 in.
2 ½ in.	4.44 in.
2 ¾ in.	4 ½ in.
3 in.	5 in.
3 ¼ in.	5 ½ in.
3 ½ in.	6 in.



DIN 71555 Clamp



Available in : Zinc Plating, Chrome-Plating, Stainless Steel 304 Bolt : M8 or M10 or M12 DIN603 Carriage Bolt (Depending on Diameter) Pre-Assembled with Bolt, Nut, and Washer Applications : Agricultural Machines, Building Machines, Engine Manufacturing This clamp can also function as a fixing clip. This clamp offers a secure connection for pipes that are fitted into one another. Custom Sizes are available upon request.

Available Sizes (mm)		
Size in Ø	Width	Thickness
30.2 MM	20 MM	2 MM
32.2 MM	20 MM	2 MM
35.2 MM	20 MM	2 MM
37.2 MM	20 MM	2 MM
40.3 MM	25 MM	3 MM
42.3 MM	25 MM	3 MM
45.5 MM	25 MM	3 MM
48.5 MM	25 MM	3 MM
59.5 MM	25 MM	3 MM
53.5 MM	25 MM	3 MM
55.5 MM	25 MM	3 MM
60.5 MM	25 MM	3 MM
63.5 MM	25 MM	3 MM
65.5 MM	25 MM	3 MM

Available Sizes (mm)		
Size in Ø	Width	Thickness
68.5 MM	25 MM	3 MM
70.5 MM	30 MM	4 MM
73.5 MM	30 MM	4 MM
75.5 MM	30 MM	4 MM
78.5 MM	30 MM	4 MM
80.5 MM	30 MM	4 MM
83.5 MM	30 MM	4 MM
85.5 MM	30 MM	4 MM
90.5 MM	30 MM	4 MM
94.5 MM	30 MM	4 MM
100.5 MM	30 MM	4 MM
102.5 MM	30 MM	4 MM
104.5 MM	30 MM	4 MM
108.5 MM	30 MM	4 MM
110.5 MM	30 MM	4 MM

Available Sizes (mm)		
Size in Ø	Width	Thickness
114.5 MM	30 MM	4 MM
120.5 MM	30 MM	4 MM
124.5 MM	30 MM	4 MM
127.5 MM	30 MM	4 MM
130.5 MM	30 MM	4 MM
134.5 MM	30 MM	4 MM
152.5 MM	30 MM	4 MM
168.5 MM	30 MM	4 MM
220.5 MM	30 MM	4 MM
250.5 MM	30 MM	4 MM
255.5 MM	30 MM	4 MM
273.5 MM	30 MM	4 MM
275.5 MM	30 MM	4 MM
300.5 MM	30 MM	4 MM




SEAL CLAMP



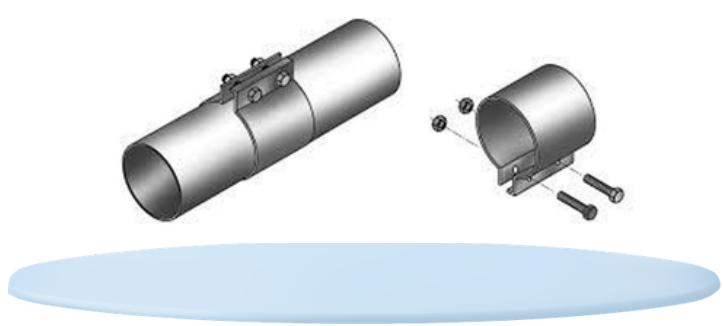

Available in : Zinc Plating, Chrome-Plating, Stainless Steel 304 Bolt Custom Sizes are available upon request.

Available Sizes (inch)		
2 in.	3 1/8 in.	5 in.
2 1/4 in.	3 1/4 in.	6 in.
2 3/8 in.	3 1/2 in.	
2 1/2 in.	4 in.	
2 5/8 in.	4 3/8 in.	
2 3/4 in.	4 1/2 in.	
3 in.	4 3/4 in.	





FLAT CLAMP

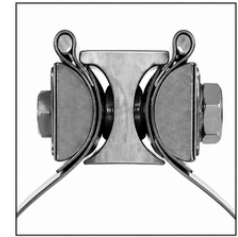


Available in : Zinc Plating, Chrome-Plating, Stainless Steel 304 Bolt Custom Sizes are available upon request.

Available Sizes	
50mm	101.6mm
57mm	108mm
60mm	114.3mm
63.5mm	127mm
70mm	138mm
76.2mm	152mm
88.9mm	

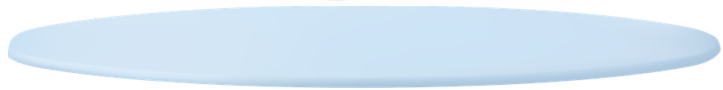


Flexible Tight-Seal Clamp / Lap Joint Clamp



Unitized assembly No loose hardware. Slides into place insralls easily and reliably

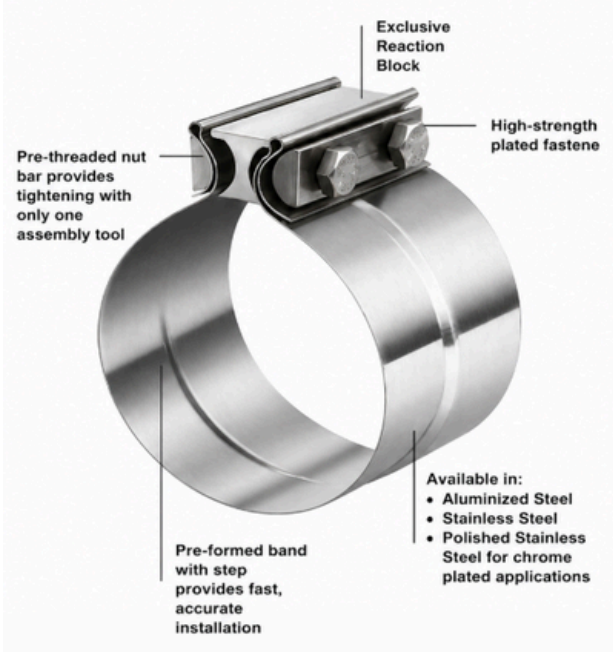
The reaction block transfers bolt torque into clamp strength and an assured seal



Available in : Zinc Plating, Chrome-Plating, Stainless Steel 304 Causes no damaging distortion to pipe or flex. Band is designed for maximum stretch and tight take-up. The reaction block provides a full 360-degree equal distribution of stretching forces and a complete seal.

A (mm)	A (inch)	B (mm)	B (inch)
50	2	55	2.25
57	2.25	62	2.50
63.5	2.5	67	2.75
70	2.75	75	3.00
76.2	3	81.2	3.25
88.9	3.5	93.6	3.50
100	3.875	105	4.00
101.6	4	106.6	4.00
114.3	4.5	119	4.50
120	4.75	125	4.75
127	5	132	5.00
152	6	158	6.00

The simple, effective way to connect exhaust system components. Replaces U-bolts and clamps. Exclusive design makes for fast, easy and accurate installation.





RXD Drainage Clamp



Available in: Trivalent Zinc Plating, Stainless Steel 304 Bolt: Hexagonal Head Sealing Sleeve - Material: EPDM Advantages:

- Fast and Easy installation
- Suitable for Repair Purposes

Available Sizes (Pipe Diameter)
65mm
85mm
90mm
115mm
140mm
170mm
220mm
286mm
338mm



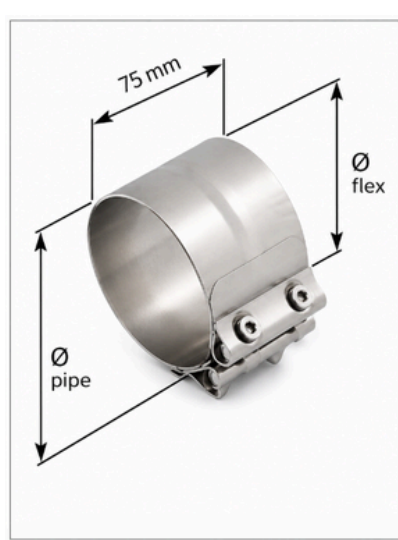
Flexible Fit Clamp Buttfits



Available in: Trivalent Zinc Plating, Stainless Steel 304 Bolt: Allen Socket Head (x2)

- Stepped strap accommodates flexible pipe for fast, accurate, and easy installation.
- Strong, reliable, lightweight, and flexible.
- Cylindrical trunnions allow the screws to self-center to optimise performance.
- Tolerates flex-variations of 2mm on diameter and clamps can be re-tightened.
- Maximum recommended torque = 25 Nm
- Stepping bridge provides a 360 degree force distribution.

A (mm)	A (inch)	B (mm)	B (inch)
50	2	55	2.25
57	2.25	62	2.50
63.5	2.5	67	2.75
70	2.75	75	3.00
76.2	3	81.2	3.25
88.9	3.5	93.6	3.50
100	3.875	105	4.00
101.6	4	106.6	4.00
114.3	4.5	119	4.50
120	4.75	125	4.75
127	5	132	5.00
152	6	158.0	6.00

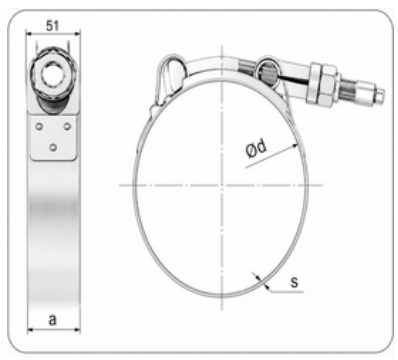




INVICTA T-Bolt Hose Clamp



Available in: Trivalent Zinc Plating, Nickel Chrome-Plating, Stainless Steel 304, Stainless Steel 316 Bolt: T Bolt Grade 8.8, Sheet Thickness : 0.6mm or 1.5mm, Band Width : 20mm (3/4") Custom Sizes available This high strength clamp is designed for industrial, marine and vehicle applications. T-bolt clamps provide higher tensile strength, durability, and corrosion resistance than typical worm clamp



W Material		
Symbol	Tape/Band	Bolt
W2	AISI 430 Stainless Steel	20 MnB4 Zn Plated
W3	AISI 304 Stainless Steel	20 MnB4 Zn Plated

I.D. Min (in)	I.D. Max (in)	I.D. Min (mm)	I.D. Max (mm)
1.38	1.57	35.1	39.9
1.5	1.69	38.1	42.9
1.63	1.88	41.3	47.8
1.75	2	44.5	50.8
1.88	2.19	47.6	55.6
2	2.31	50.8	58.7
2.13	2.44	54.1	62
2.25	2.56	57.2	65
2.38	2.69	60.3	68.3
2.5	2.81	63.5	71.4
2.63	2.94	66.7	74.7
2.75	3.06	69.9	77.7
2.88	3.19	73	81
3	3.31	76.2	84.1
3.13	3.44	79.4	87.4
3.25	3.56	82.6	90.4
3.38	3.69	85.7	93.7
3.5	3.81	88.9	96.8
3.63	3.94	92.1	100.1
3.75	4.06	95.3	103.1
4	4.31	101.6	109.5
4.25	4.56	108	115.8
4.5	4.81	114.3	122.2
4.75	5.06	120.7	128.5
5	5.31	127	134.9
5.25	5.56	133.4	141.2
5.5	5.81	139.7	147.6
5.75	6.06	146.1	153.9
6	6.31	152.4	160.3
6.25	6.56	158.8	166.6
6.5	6.81	165.1	173
6.75	7.06	171.5	179.3
7	7.31	177.8	185.7
7.25	7.56	184.2	192
7.5	7.81	190.5	198.4
7.75	8.06	196.9	204.7
8	8.31	203.2	211.1
8.25	8.56	209.6	217.4
8.5	8.81	215.9	223.8



DTS Series Circular Band Clamp

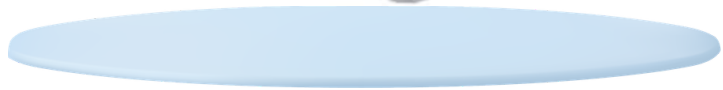


Available in: Trivalent Zinc Plating, Stainless Steel 304, Black Powder Coating
Bent or Straight Bolt options available

Available Sizes	(inch)
2 in.	4.00 in.
2.13 in.	4.25 in.
2.25 in.	4.50 in.
2.50 in.	5.00 in.
2.75 in.	5.50 in.
3.00 in.	6.00 in.
3.25 in.	7.00 in.
3.50 in.	8.00 in.
3.88 in.	



MINI CLAMP Jaw Fastening Clamp (DIN 3016-2, DIN 3017-2)



Available in: Trivalent Zinc Plating, Stainless Steel 304 Bolt: Allen Socket Head Pre-Assembled with bolt, nut and washer Suitable for small thin walled hoses. Clamp secured nut.

Available Sizes (mm)			
29-31	56-59	92-97	149-161
32-35	60-63	98-103	162-174
36-39	64-67	104-112	175-187
40-43	68-73	113-121	188-200
44-47	74-79	122-130	201-213
48-51	80-85	131-139	
52-55	86-91	140-148	





Flexible Fit Clamp Standard

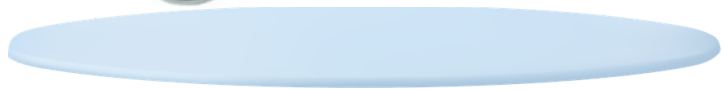


Available in: Trivalent Zinc Plating, Stainless Steel 304

A (mm)	A (inch)	B (mm)	B (inch)
50	2	55	2.25
57	2.25	62	2.50
63.5	2.5	67	2.75
70	2.75	75	3.00
76.2	3	81.2	3.25
88.9	3.5	93.6	3.50
100	3.875	105	4.00
101.6	4	106.6	4.00
114.3	4.5	119	4.50
120	4.75	125	4.75
127	5	132	5.00
152	6	158	6.00



Clamp Collar Hook for Swings (Round)



Available in: Carbon Steel with Zinc Plating

Available Sizes (mm)	Thickness (mm)
50mm	2mm
50mm	2.5mm
70mm	2.5mm
80mm	2mm
80mm	2.5mm
80mm	3mm
80mm	4mm
90mm	2.5mm
90mm	3mm
97mm	3mm
97mm	4mm
100mm	3mm
120mm	3mm

Clamp Collar Hook for Swings (Square)



Available in : Carbon Steel with Zinc Plating Width = 35mm

Available Sizes (mm) Thickness (mm)	
45x70mm	3mm
70x70mm	2.5mm
90x90mm	2.5mm

Heavy Duty Clamp (VAG Exhaust Clamp)



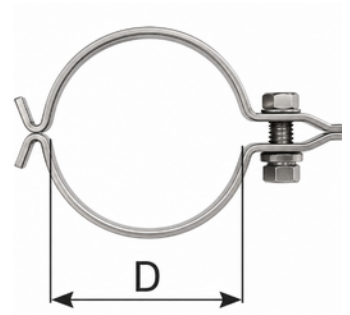
Available in: Zinc Plating, Stainless Steel 304 Bolt: 8x50 or 10x55 or 12x40 DIN603 Carriage Bolt 8.8 Pre-assembled with DIN603 Bolt, DIN125 spring-washer, and DIN934 hexagonal-nut Available in 2 designs

Available Sizes (mm)

23.5mm	51.5mm	64.5mm	100.5mm
28.5mm	52.5mm	65.5mm	104.5mm
32.5mm	53.5mm	68.5mm	107.5mm
38.5mm	54.5mm	70.5mm	110.5mm
41.5mm	55.5mm	73.5mm	114.5mm
42.5mm	56.5mm	75.5mm	120.5mm
44.5mm	57.5mm	78.5mm	124.5mm
45.5mm	58.5mm	80.5mm	127.5mm
46.7mm	59.5mm	85.5mm	130.5mm
48.5mm	60.5mm	89.5mm	133.5mm
49.5mm	62.5mm	90.5mm	
50.5mm	63.5mm	94.5mm	



Hinge Clamp



Available in: Zinc Plating (Mild Steel ST-37) Bolt: DIN603 (M8 or M10 or M12 depending on diameter) Pre-assembled with nut and washer

Available Sizes (mm)	
53.5mm	85.5mm
55.5mm	90.5mm
58.5mm	94.5mm
60.5mm	100.5mm
63.5mm	104.5mm
65.5mm	110.5mm
68.5mm	114.5mm
70.5mm	120.5mm
73.5mm	124.5mm
75.5mm	127.5mm
78.5mm	130.5mm
80.5mm	



Worm Drive Hose Clamp (in accordance with DIN3017-1)



W Malzeme - W Material		
Symbol	Vida - Bolt	Bant - Tape
W1	20 MnB4 Zn Plated	1.0347 Zn Plated

Available in: Zinc Plating (Mild Steel), Stainless Steel 304, Stainless Steel 316 (W1/W2/W3/W4/W5)
 Applications: Automotive, Irrigation, General Purpose, Marine, Industrial, Oil Lines, Construction Bolt: Hexagonal Head with screwdriver slot
 Additional diameters available on request up to 710mm
 Smooth or stamped inside of band is designed to prevent hose damage (non-perforated)
 Low free torque for easy installation. Torque Tables available on request. Technically advanced design for superior sealing. Short housing saddles provides even distribution of clamping pressure.

Clamping Range (mm)	Width (mm)
8 - 12	7.5
10 - 16	7.5
12 - 18	7.5
12 - 22	7.5
16 - 27	7.5
8 - 12	9
8 - 16	9
12 - 22	9
16 - 27	9
20 - 32	9
23 - 35	9
25 - 40	9
30 - 45	9
35 - 50	9
40 - 60	9
50 - 70	9
60 - 80	9
70 - 90	9
80 - 100	9
90 - 110	9
100 - 120	9
110 - 130	9
120 - 140	9
130 - 150	9

Clamping Range (mm)	Width (mm)
140 - 160	9
16 - 27	12
20 - 32	12
23 - 35	12
25 - 40	12
30 - 45	12
35 - 50	12
40 - 60	12
50 - 70	12
60 - 80	12
70 - 90	12
80 - 100	12
90 - 110	12
100 - 120	12
110 - 130	12
120 - 140	12
130 - 150	12
140 - 160	12



- 1 Improved asymmetric housing**
– even distribution of forces and safe assembly
- 2 Screw support**
– ease of assembly due to the safe guidance of the band end
- 3 Material and clamping range stamped on**
– prevention of errors
- 4 Asymmetric extension**
– prevents the housing from tilting over when the
- 5 Short housing saddle**
– even contact pressure
– improved efficiency
- 6 Smooth or stamped inside of band**
– optimal hose protection



Constant Torque Worm Drive Clamp

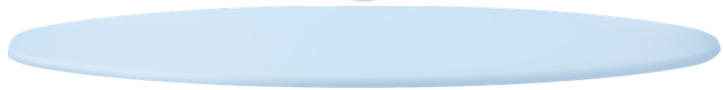


Available in: SS 304 Band with SS 410 Screw Band Width: 14.2mm or 15.8 mm

Available Size	(mm)
24 - 45	108 - 130
21 - 38	121 - 143
21 - 45	133 - 156
27 - 51	146 - 168
32 - 54	159 - 181
45 - 67	171 - 194
57 - 79	184 - 206
70 - 92	197 - 219
83 - 105	210 - 232
95 - 117	



Mini Hose Clamp



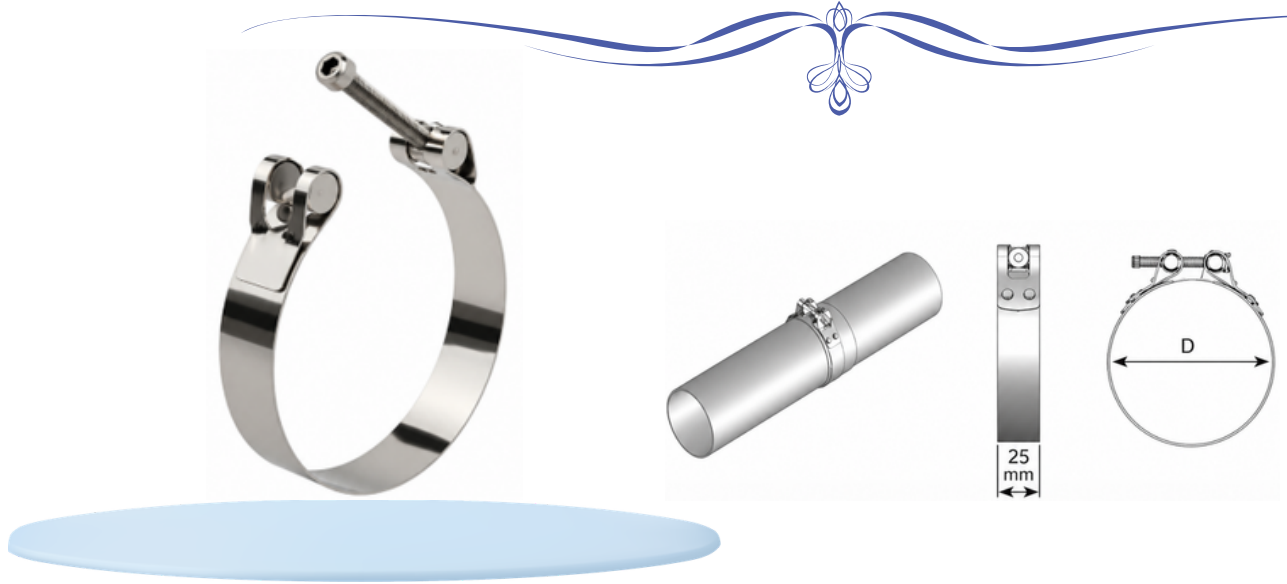
A lightweight, streamlined hose clamp generally used in small-diameter applications, such as air and fuel lines. 5/16" Band with Arcial Perforations | Three-Piece Construction | SAE Standard J1508 Type M | Diameter Range 7/32" – 2 1/2" Available in: Trivalent Zinc Plating, Stainless Steel 201 or 304 (W1 / W2 / W3 / W4) Band Width: 8mm

Available Size	MM
6 - 16	7/32 - 5/8
8 - 22	-
11 - 20	7/16 - 25/32
14 - 27	9/16 - 1 1/16

- 3500 MINI**
 1/4" Paired Hex Screw
 5/16" Band in 300 Series SS
 One-Piece Housing in 300 Series SS
- 3600 MINI**
 1/4" 410 Stainless Steel Hex Screw
 5/16" Band in 300-Series SS
 One-Piece Housing in 300-Series SS
- 3700 MINI**
 1/4" 300-Series SS Hex Screw
 5/16" Band in 300-Series SS
 One-Piece Housing in 300-Series SS
- 3800 MINI**
 1/4" 316 Stainless Steel Hex Screw
 5/16" Band in 316 Stainless Steel
 One-Piece Housing in 316 Stainless Steel



Tight Fit Clamp



Available in: Zinc Plating (Mild Carbon Steel), Stainless 304, Stainless Steel 316, Nickel-Chrome Plating

Bolt: Socket Head (Quick-Latch Hook-In) Pre-assembled with bolt and cylindrical trunnions. No loose parts, and no need to separate pipes before clamping. Designed to connect exhaust pipes with slotted ends. Strong, reliable, lightweight, and flexible. Spot Welds eliminate the risk of fatigue failure. Cylindrical Trunnions allow the screw to self-centre. Design can tolerate variations in diameter of +/- 2mm No sharp burrs.

Size (mm)	Size (inch)
51 - 54	2
54 - 57	2 ¼
60 - 63	2.375
64 - 67	2 ½
66 - 69	2 ⅝
71 - 74	2 ¾
78 - 81	3
81 - 84	3 ⅛
86 - 89	3 ⅓
90 - 93	3 ½
91 - 94	3 ½
101 - 105	4
102 - 106	4
111 - 116	4 3/8
115 - 119	4 ½
122 - 127	4 ¾
128 - 132	5
153 - 158	6



Pipe Fit Clamp

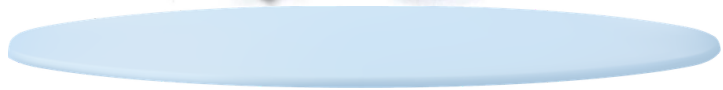


Available in: Zinc Plating, Stainless Steel 304, Stainless Steel 316 Bolt: Socket Head Pre-assembled with bolt and two barrel nuts. Band Width : 35mm

Size (mm)	Size (inch)
51 - 54	2
54 - 57	2 ¼
60 - 63	2.375
64 - 67	2 ½
66 - 69	2 ⅝
71 - 74	2 ¾
78 - 81	3
81 - 84	3 ⅛
86 - 89	3 ⅓
90 - 93	3 ½
91 - 94	3 ½
101 - 105	4
102 - 106	4
111 - 116	4 3/8
115 - 119	4 ½
122 - 127	4 ¾
128 - 132	5
153 - 158	6



Double Wire Clamp



Available in: Zinc Plating, Stainless Steel 304, Stainless Steel 316 Bolt: Socket Head Pre-assembled with bolt and two barrel nuts. Band Width : 35mm

Available Sizes (mm)		
9.5 - 12	41 - 46	120 - 128
10.5 - 13	43.5 - 49	124 - 132
11.5 - 14	46.5 - 53	125 - 140
12.5 - 15	50.5 - 56	134 - 150
13 - 16	53.5 - 60	145 - 160
13.5 - 17	56.5 - 64	150 - 165
15 - 18	60 - 68	155 - 170
15.5 -19	64 - 72	165 - 180
17 - 20	68.5 - 76	175 - 190
17.5 - 21	72.5 - 80	
18.5 - 22	76.5 - 84	
19 - 23	80 - 88	
21.5 - 25.5	84 - 92	
23.5 - 27	88 - 96	
25 - 29	92 - 100	
27 - 31	95 - 104	
29 - 33	98 - 108	
30.5 - 35	103 - 112	
33 - 37	109 - 116	
35.5 - 40.5	111 - 120	
38.5 - 43	115 - 124	



RSS Clamp



Available in: Trivalent Zinc Plating, Stainless Steel 304

Available Sizes (mm)		
40 - 43	72 - 76	149 - 161
44 - 47	80 - 85	162 - 174
48 - 51	86 - 91	175 - 187
52 - 55	92 - 97	188 - 200
56 - 59	98 - 103	201 - 213
58 - 61	104 - 112	214 - 226
60 - 63	113 - 121	227 - 239
64 - 67	122 - 130	260 - 270
68 - 73	140 - 148	313 - 323
74 - 79	131 - 139	320 - 330





FLAT CLAMP BUTTFIT



Available in: Trivalent Zinc Plating, Stainless Steel 304 Designed to connect exhaust pipes end-to-end. Strong, reliable, lightweight, and flexible. No need to separate pipes before clamping. Simply torque the socket cap screws for fast assembly. Available for pipe sizes from 50.8 to 152.0mm. Maximum Recommended Torque = 25Nm 75mm wide strap allows for fast, accurate, and easy installation. Bridging Seal helps provide a 360-degree seal. Cylindrical Trunnions allow the screw to self-centre. Spot welds insure against fatigue failures.

Size (mm)	Size (inch)
50.8	2
57	2 ¼
60.3	2 ½
63.5	2 ½
69.9	2 ¾
76.2	3
88.9	3 ½
101.6	4
108	4 ½
114.3	4 ½
127	5
140	5 ½
152	6




FLAT SEAL CLAMP COUPLER / BUTT JOINT CLAMP




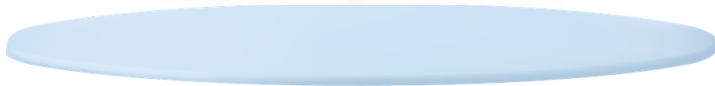
Available in: Trivalent Zinc Plating, Stainless Steel 304, Stainless Steel 409
 Provides joint serviceability Does not require pipe overlap Pre-assembled - easy installation Unique sealing performance Superior clamp load capability

Size (mm)	Size (inch)
50.8	2
57	2 ¼
60.3	2 ½
63.5	2 ½
69.9	2 ¾
76.2	3
88.9	3 ½
101.6	4
108	4 ½
114.3	4 ½
127	5
140	5 ½
152	6





BALL ZONE EXHAUST GAS CLAMP



Available in: Trivalent Zinc Plating, Stainless Steel 304 The Ball Zone Exhaust Gas Clamps are the ideal solution when it comes to making connections in central and rear exhaust gas areas. When used in conjunction with flange joints, it is possible to swivel silencers during installation. Applications: Agricultural Machines, Building Machines, Engine Manufacturing

ADVANTAGES :

1. Angle Compensation in Exhaust Gas System
2. Silencers can be swiveled during installation
3. Easier installation and removal
4. Higher Torsion moments than conventional ball shaped flange connections
5. Low Leakage 6. Low Weight

Available Sizes



55mm - 65mm (2 3/16")

60mm - 69.5mm (2 3/8")

65mm - 75mm (2 9/16")

70mm - 81.5mm (2 3/4")




CIRCLE CLAMP


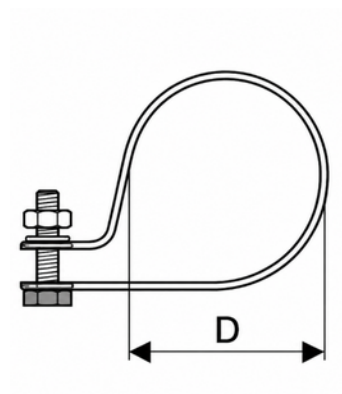


Available in: Trivalent Zinc Plating (9 micron min.)

Available Sizes
76mm - 82mm (3")
83mm - 94mm (3 ½ ")
95mm - 107mm (4")
108mm - 114mm (4 ¼")
115mm - 119mm (4 ½")
120mm - 132mm (5")
142mm - 154mm (6")



P-Type Pipe Clamps



Available in: Trivalent Zinc Plating, Stainless Steel 304

Available Sizes (D)
60mm (2 3/8")
75mm (3")
80mm (3 1/8")
90mm (3 1/3)
110mm (4 3/8")
120mm (4 3/4 ")





Spring-Loaded T-Bolt Clamp



Available in: Trivalent Zinc Plating, Stainless Steel 304 (W1 / W2 / W3/ W4) Band Width: 19mm

Size (mm)	Size (inch)
57 - 65	2 ¼ - 2 9/16
60 - 68	2 ⅜ - 2 11/16
64 - 71	2 ½ - 2 13/16
67 - 75	2 ⅝ - 2 15/16
67 - 78	2 ¾ - 3 1/16
73 - 81	2 ⅞ - 3 3/16
76 - 84	3 - 3 5/16
78 - 86	3 1/16 - 3 3/8
79 - 87	3 ⅛ - 3 7/16
83 - 91	3 ¼ - 3 9/16
86 - 94	3 ⅝ - 3 11/16
89 - 97	3 ½ - 3 13/16
90 - 98	3 9/16 - 3 ⅞
92 - 100	3 ⅝ - 3 15/16
95 - 103	3 ¾ - 4 1/16
102 - 110	4 - 4 5/16
103 - 111	4 1/16 - 4 ⅝
105 - 113	4 ⅛ - 4 7/16
108 -116	4 ¼ - 4 9/16
114 - 122	4 ½ - 4 13/16
116 - 124	4 9/16 - 4 ⅞
121 - 129	4 ¾ - 5 1/16
127 - 135	5 - 5 5/16




Lined Hose Clamp




Available in: Trivalent Zinc Plating, Stainless Steel 201 or 304 (W1 / W2 / W3 / W4)
 Band Width: 12.7mm

Size (mm)	Size (inch)
11 - 20	7/16 - 25/32
13 - 23	1/2 - 29/32
14 - 27	9/16 - 1 1/16
17 - 32	11/16 - 1 1/4
21 - 38	13/16 - 1 1/2
21 - 44	13/16 - 1 3/4
27 - 51	1 1/16 - 2
33 - 57	1 5/16 - 2 1/4
40 - 64	1 9/16 - 2 1/2
46 - 70	1 13/16 - 2 3/4
52 - 76	2 1/16 - 3
59 - 83	2 5/16 - 3 1/4
65 - 89	2 9/16 - 3 1/2
71 - 95	2 13/16 - 3 3/4
78 - 102	3 1/16 - 4
84 - 108	3 5/16 - 4 1/4
91 - 114	3 9/16 - 4 1/2
48 - 127	1 ? - 5
64 - 140	2 1/2 - 5 1/2
79 - 152	3 ? - 6
92 - 165	3 ? - 6 1/2
105 - 178	4 ? - 7





Spring Steel Wire Hose Clamp

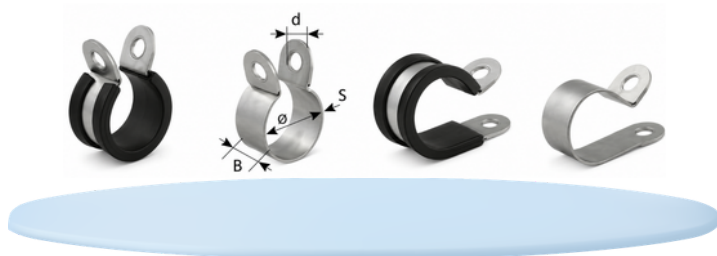


Available in: Trivalent Zinc Plating, Stainless Steel 201 or 304

Diameter (mm)	Width (mm)	Thickness (mm)
4	6	0.4
5	6	0.6
6	6	0.6
7	6	0.6
8	8	0.8
9	8	0.8
9.5	8	0.8
10	8	0.8
10.5	8	0.8
11	8	0.8
11.5	8	0.8
12.5	8	0.8
13	10	1
13.5	10	1
14	10	1
14.5	10	1
15	12	1
16	12	1
17	12	1
18	12	1
19	12	1
20	12	1
21	12	1
23	12	1.2
24	12	1.2
25	12	1.2
26	15	1.5
27	15	1.5
29	15	1.5
29	15	1.5
30	15	1.8
33	15	1.8
35	15	1.8
36	15	1.8
42	15	1.8
44	15	1.8
45	15	1.8
47	15	2
52	15	2
60	15	2.5

www.invictaclamps.com

P-Clips (in accordance with DIN3016)



MATERIAL REPORT	
Material characteristics:	EPDM Profile
Colour	Black
Shore hardness A	64-65
Tensile strength	Minimum 8 N/mm
Temperature	-40°C up to 120°C
Breaking resistance	64-65 Kg/cm
Elongation at break (%)	315-335
Resistance against weather	Very good
Resistance against ozone	Very good
Resistance against oil/grease	Good
Resistance against petrol	Good
Resistance against acid	Good

Available in: Zinc Plating, Stainless Steel 304 (1.4301) Applications : Machines, White Goods, Irrigation Systems, Chemical Industry, Ship Manufacturing, Pumps Advantages : Easy Installation, Reinforced Band Ends for extremely high mechanical loads

Diam.	Band Width mm	Hole mm
5	12	5.3
6	12	5.3
7	12	5.3
8	12	5.3
9	12	5.3
10	12	5.3
11	12	5.3
12	12	5.3
13	12	5.3
14	12	5.3
15	12	5.3
16	12	5.3
17	12	5.3
18	12	5.3
19	12	5.3
20	12	5.3
21	12	5.3
22	12	5.3
23	12	5.3
24	12	5.3
25	12	5.3

Diam.	Band Width mm	Hole mm
5	15	6.4
6	15	6.4
7	15	6.4
8	15	6.4
9	15	6.4
10	15	6.4
11	15	6.4
12	15	6.4
13	15	6.4
14	15	6.4
15	15	6.4
16	15	6.4
17	15	6.4
18	15	6.4
19	15	6.4
20	15	6.4
21	15	6.4
22	15	6.4
23	15	6.4
24	15	6.4
25	15	6.4
26	15	6.4
27	15	6.4
28	15	6.4
29	15	6.4
30	15	6.4
31	15	6.4
32	15	6.4
33	15	6.4
34	15	6.4
35	15	6.4
36	15	6.4
37	15	6.4
38	15	6.4
39	15	6.4
40	15	6.4

Diam.	Band Width mm	Hole mm
5	20	8.4
6	20	8.4
7	20	8.4
8	20	8.4
9	20	8.4
10	20	8.4
11	20	8.4
12	20	8.4
13	20	8.4
14	20	8.4
15	20	8.4
16	20	8.4
17	20	8.4
18	20	8.4
19	20	8.4
20	20	8.4
21	20	8.4
22	20	8.4
23	20	8.4
24	20	8.4
25	20	8.4
26	20	8.4
27	20	8.4
28	20	8.4
29	20	8.4
30	20	8.4
31	20	8.4
32	20	8.4
33	20	8.4
34	20	8.4
35	20	8.4
36	20	8.4
37	20	8.4
39	20	8.4
40	20	8.4
41	20	8.4
42	20	8.4
43	20	8.4
45	20	8.4
47	20	8.4
50	20	8.4

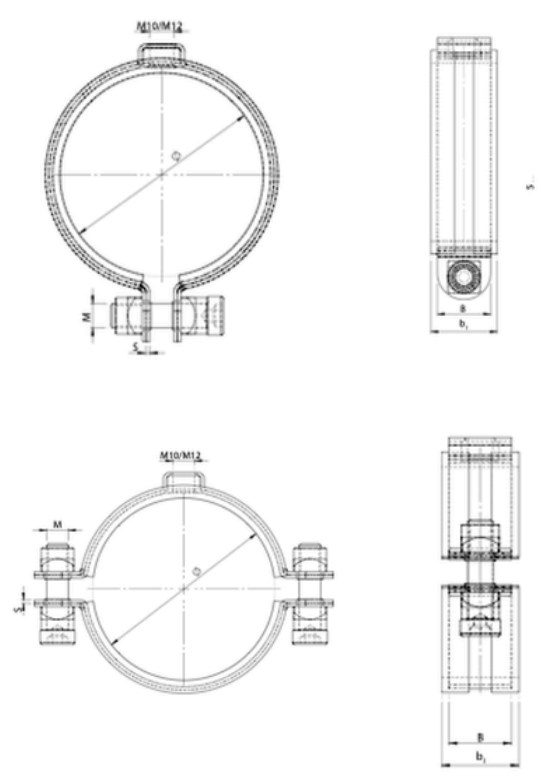
Diam.	Band Width mm	Hole mm
20	25	10.4
22	25	10.4
25	25	10.4
28	25	10.4
30	25	10.4
32	25	10.4
35	25	10.4
38	25	10.4
40	25	10.4
41	25	10.4
42	25	10.4
45	25	10.4
48	25	10.4
50	25	10.4
52	25	10.4
55	25	10.4
56	25	10.4
58	25	10.4
60	25	10.4
62	25	10.4
68	25	10.4
70	25	10.4
74	25	10.4
76	25	10.4
80	25	10.4
85	25	10.4
90	25	10.4
100	25	10.4
110	25	10.4
120	25	10.4
130	25	10.4
140	25	10.4
150	25	10.4



DIN4109 Split Clamp



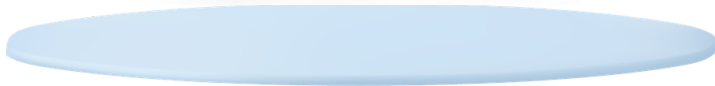
Available in: Zinc Plating, Stainless Steel 304 (1.4301)



Available Sizes (mm)	Width / Thickness
14 - 18	25 x 2.0
19 - 23	25 x 2.0
24 - 28	30 x 2.5
29 - 33	30 x 2.5
33 - 37	30 x 2.5
40 - 45	30 x 2.5
47 - 52	30 x 2.5
53 - 58	30 x 2.5
60 - 65	30 x 2.5
67 - 72	30 x 3.0
73 - 78	30 x 3.0
79 - 85	30 x 3.0
88 - 93	30 x 3.0
100 - 106	30 x 3.0
108 - 115	30 x 3.0
124 - 129	40 x 4.0
131 - 137	40 x 4.0
138 - 144	40 x 4.0
148 - 154	40 x 4.0
156 - 162	40 x 4.0
165 - 171	40 x 4.0
177 - 183	40 x 4.0
188 - 194	40 x 4.0
196 - 203	40 x 4.0
205 - 214	40 x 4.0
219 - 225	40 x 4.0
244 - 250	40 x 4.0
267 - 273	40 x 4.0
278 - 284	40 x 4.0
299 - 305	40 x 4.0
307 - 318	40 x 4.0



Cotter Pin Hose Clamp 5mm and 9mm



Available in: Zinc Plating, Stainless Steel 304 (1.4301) Suitable for less demanding applications such as attaching signs and sealing low-pressure hoses. Can be re-used. Required tools: Steel pin, angled screwdriver or pliers, plate shears



Heat Shield Clamp



Available in: Trivalent Zinc Plating, Stainless Steel 304

Available Sizes (D)

76.2mm

88.9mm

101.6mm

114.3mm

127mm

184mm

206mm

250mm

265mm

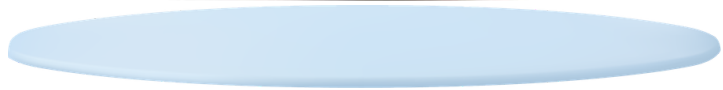
284mm

300mm





Thumb Turn Screw Worm Drive Hose Clamp



Available in : Zinc Plating, Stainless Steel 202, Stainless Steel 304, Stainless Steel 316

Available Sizes (mm)	Width x Thickness
12-20	9/12x0.6
16 - 25	9/12x0.6
20 - 32	9/12x0.6
25 - 40	9/12x0.6
32 - 50	9/12x0.6
40 - 60	9/12x0.6
50 - 70	9/12x0.6
60 - 80	9/12x0.6
70 - 90	9/12x0.6
80 - 100	9/12x0.6
90 - 110	9/12x0.6
100 - 120	9/12x0.6
110 - 130	9/12x0.6
120 - 140	9/12x0.6
130 - 150	9/12x0.6
140 - 160	9/12x0.6
150 - 170	9/12x0.6
160 - 180	9/12x0.6
170 - 190	9/12x0.6
180 - 200	9/12x0.6
190 - 210	9/12x0.6
200 - 220	9/12x0.6
210 - 230	9/12x0.6





Single Ear Clip



Available in : W1 Zinc Plating, Stainless Steel 202, Stainless Steel 304, Stainless Steel 316.

A vailable Sizes (mm)	Width x Thickness	A vailable Sizes (mm)	Width x Thickness
6.5	5x0.5	22.6	7x0.6
7.0	5x0.5	24.1	7x0.6
8.0	5x0.5	25	7x0.6
8.7	5x0.5	25.6	7x0.6
9.5	5x0.5	26	7x0.6
10.5	5x0.5	27.1	7x0.6
11.8	5x0.5	28.6	7x0.6
11.9	7x0.6	31.6	7x0.6
12.3	7x0.6	34.6	7x0.6
12.8	7x0.6	37.6	7x0.6
13.3	7x0.6	39.6	7x0.6
14.0	7x0.6	42.5	7x0.6
14.5	7x0.6	48.5	7x0.6
15.3	7x0.6	56	7x0.6
15.7	7x0.6	68	7x0.6
16.2	7x0.6	71	7x0.6
17.0	7x0.6	84	7x0.6
17.5	7x0.6	92.5	7x0.6
18.5	7x0.6		
19.2	7x0.6		
19.8	7x0.6		
21.0	7x0.6		



Quick Release Worm Drive Hose Clamp

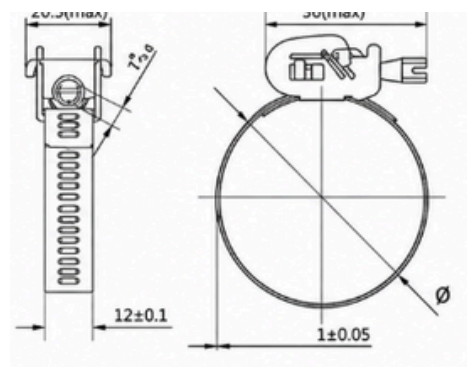


Available in : W1 Zinc Plating, Stainless Steel 202, Stainless Steel 304, Stainless Steel 316.

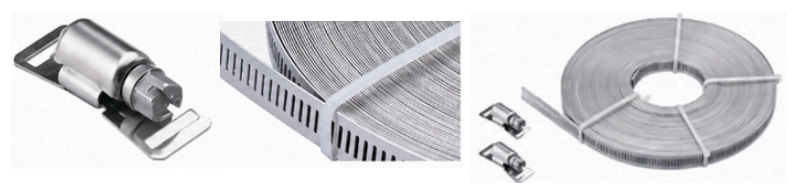
A available Sizes (mm)	Width x Thickness
12-20	9/12x0.6
16 - 25	9/12x0.6
20 - 32	9/12x0.6
25 - 40	9/12x0.6
32 - 50	9/12x0.6
40 - 60	9/12x0.6
50 - 70	9/12x0.6
60 - 80	9/12x0.6
70 - 90	9/12x0.6
80 - 100	9/12x0.6

A available Sizes (mm)	Width x Thickness
90 - 110	9/12x0.6
100 - 120	9/12x0.6
110 - 130	9/12x0.6
120 - 140	9/12x0.6
130 - 150	9/12x0.6
140 - 160	9/12x0.6
150 - 170	9/12x0.6
160 - 180	9/12x0.6
170 - 190	9/12x0.6
180 - 200	9/12x0.6

A available Sizes (mm)	Width x Thickness
190 - 210	9/12x0.6
200 - 220	9/12x0.6
210 - 230	9/12x0.6



Bandwidth 12.7mm: all 200/300 Stainless steel: 8.0mm hex-head screw
 Bandwidth 8mm: Material; all 200/300 Stainless steel: 6.0mm hex-head screw, Galvanised Carbon steel.



Technical Data -- Hose Clamp Set

Band Width	Thickness	length	Material	MOQ
Band of 8mm	0.6mm	30m	SS201,SS304,SS316	100rolls
Band of 12.7mm	0.6mm	30m	SS201,SS304,SS316	100rolls
Housing for 8mm			W2&W4/SS201,SS304	1000pcs.
Housing for 12.7mm			W2&W4/SS201,SS304	1000pcs.




Spring Insert Worm Drive Hose Clamp




Available in : Zinc Plating, Stainless Steel 202, Stainless Steel 304, Stainless Steel 316

A available Sizes (mm)	Width x Thickness
12 - 20	9/12x0.6
16 - 25	9/12x0.6
20 - 32	9/12x0.6
25 - 40	9/12x0.6
32 - 50	9/12x0.6
40 - 60	9/12x0.6
50 - 70	9/12x0.6
60 - 80	9/12x0.6
70 - 90	9/12x0.6
80 - 100	9/12x0.6
90 - 110	9/12x0.6
100 - 120	9/12x0.6
110 - 130	9/12x0.6
120 - 140	9/12x0.6
130 - 150	9/12x0.6
140 - 160	9/12x0.6
150 - 170	9/12x0.6
160 - 180	9/12x0.6
170 - 190	9/12x0.6
180 - 200	9/12x0.6
190 - 210	9/12x0.6
200 - 220	9/12x0.6
210 - 230	9/12x0.6





PSA Exhaust Clamps (Peugeot / Citroen / Renault Applications)



Available in : Zinc Plating, Stainless Steel 202, Stainless Steel 304, Stainless Steel 316

A available Sizes (mm)	Width x Thickness
12-20	9/12x0.6
16 - 25	9/12x0.6
20 - 32	9/12x0.6
25 - 40	9/12x0.6
32 - 50	9/12x0.6
40 - 60	9/12x0.6
50 - 70	9/12x0.6
60 - 80	9/12x0.6
70 - 90	9/12x0.6
80 - 100	9/12x0.6
90 - 110	9/12x0.6
100 - 120	9/12x0.6
110 - 130	9/12x0.6
120 - 140	9/12x0.6
130 - 150	9/12x0.6
140 - 160	9/12x0.6
150 - 170	9/12x0.6
160 - 180	9/12x0.6
170 - 190	9/12x0.6
180 - 200	9/12x0.6
190 - 210	9/12x0.6
200 - 220	9/12x0.6
210 - 230	9/12x0.6



Mercedes Exhaust Clamps



Available in: Trivalent Zinc Plating, Stainless Steel 304

Available Sizes
75mm
91mm
107mm



Adjustable Exhaust Clamp

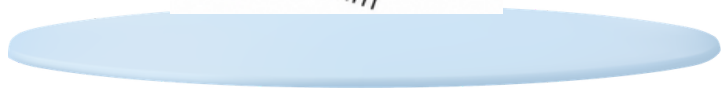


Available In : Zinc Plating, Stainless Steel 304

Available Sizes (D)
60.0mm (2 3/8")
76.2mm (3")
88.9mm (3 1/2 ")
101.6mm (4")
108mm (4 1/4 ")
114.3mm (4 1/2 ")
127mm (5")
155mm (6")
184mm (7")
206mm (8")
249mm (10")
260mm (10 1/4 ")
284mm (11")
300m (11 3/4 ")
320mm (12")



Silencer Straps



Available in: Zinc Plating, Stainless Steel 304

Available Sizes (D)
155mm (6")
178mm (7")
184mm (7 ¼")
206mm (8")
228mm (9")
254mm (10")
284mm (11")
300mm (12")
380mm (15")





D-TYPE Exhaust Clamps (Mercedes / Iveco Applications)

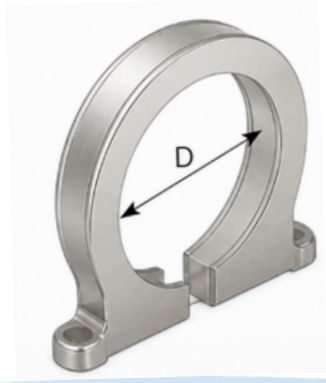


Available in : Zinc Plating (Mild Steel)

Clamping Range (D)
42mm
46mm
49mm
59.5mm - 62.5mm (2 3/8")
63mm - 66mm (2 1/2")
65mm - 68mm (2 1/2")
67mm - 70mm (2 3/4")
74mm - 77mm (3")
76mm - 79mm (3")
80mm - 83mm (3 ?")
87.5mm - 90.5mm (3 1/2")
92mm - 96mm (3 3/4")
97mm - 100mm(4")
104mm - 107mm(4")



C-TYPE Exhaust Clamps (Mercedes / Iveco Applications)



Available in: Trivalent Zinc Plating, Stainless Steel 304

Clamping Range (D)
38mm
45mm
48mm
54mm
65mm
102mm - 105mm (4")
106mm - 110mm (4 3/8")
114mm - 118m (4 1/2")
118mm - 122mm (4 3/4")
128mm - 132mm (5")
131mm - 135 (5 1/4")
146mm - 151mm (5 3/4")



Citroen Exhaust Clamp



Available In : Zinc Plating, Stainless Steel 304

Available Sizes (D)
35mm
47mm
49mm
53mm
58mm
66mm
69mm



Renault Exhaust Clamp



Available In : Zinc Plating, Stainless Steel 304

Available Sizes (D)
35mm
47mm
49mm
53mm
58mm
66mm
69mm



DAF U-Bolt Clamp

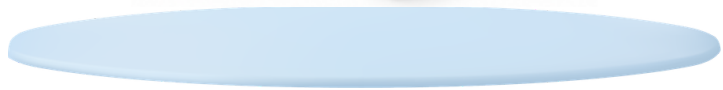


Available In : Zinc Plating, Stainless Steel 304

Diameter (D)	U-Bolt Height	Thread Length
72mm	120mm	40mm
84mm	130mm	40mm
92mm	140mm	40mm
96mm	145mm	40mm
98mm	150mm	40mm
105mm	195mm	40mm
109mm	160mm	40mm
120mm	170mm	40mm
130mm	185mm	60mm
142mm	195mm	40mm
155mm	205mm	40mm
165mm	220mm	55mm



M10 Ford Exhaust Clamp



Available in: Zinc Plating Pre-Assembled with DIN980 Self-Locking Copper Nuts or DIN934 Nuts and DIN125 Washers

Available Sizes (mm)		
32mm	48mm	60mm
35mm	49mm	61mm
36mm	50mm	62mm
38mm	51mm	63mm
40mm	52mm	64mm
41mm	53mm	66mm
42mm	54mm	67mm
43mm	55mm	69mm
44mm	56mm	
45mm	57mm	
46mm	58mm	
47mm	59mm	



Heavy-Duty Hose Clamp (Double Band)



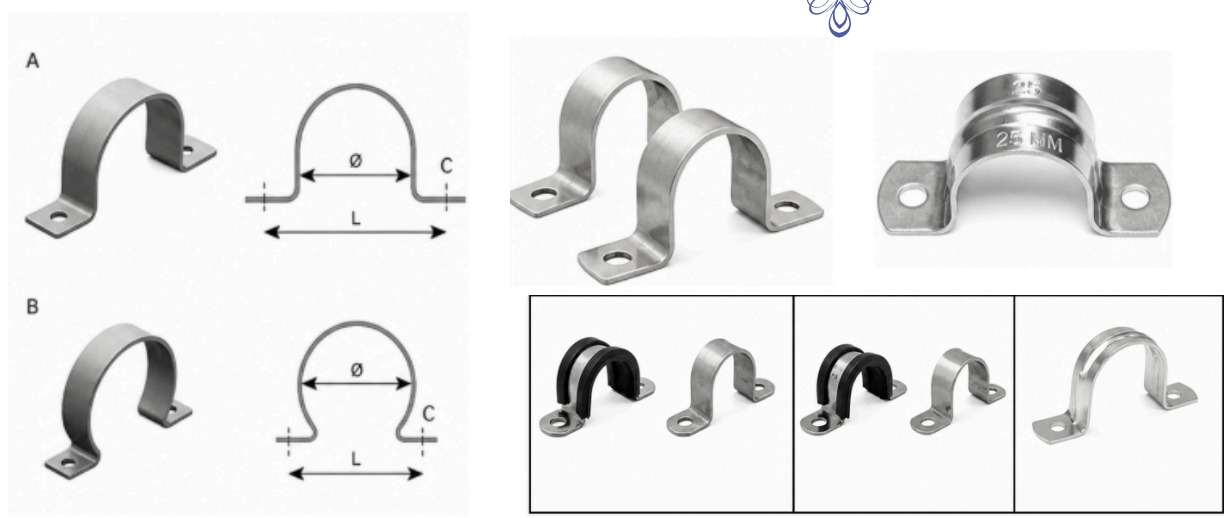
Available in : Zinc Plating, Chrome-Plating, Stainless Steel 304, Stainless Steel 316, Stainless Steel 409 Bolt : M6 Allen Socket Cap Screw (8.8 or 12.9 grade) Strap Width : 20mm Maximum Torque 30 in.-lbs. With two layers of steel bands, this clamp offers great strength and forms a leak free vacuum. Improves safety by minimizing parts that protrude after installation. Excellent product performance and attractive appearance, Features solid trunnions, bridge, and strong band. Perfect for tight, hard-to-access spaces Custom sizes are available on request. Available optionally in a single-band as a low-cost economic alternative. Available optionally as an extra heavy-duty clamp with 25mm width double-band and M8 Allen Socket Bolt. Extra heavy-duty clamp is available only for sizes 90mm and above.

Ø D	Thickness
35mm	1.5mm
40mm	1.5mm
46mm	1.5mm
50mm	1.5mm
55mm	1.5mm
60mm	1.5mm
65mm	1.5mm
70mm	1.5mm
72mm	1.5mm
75mm	1.5mm
80mm	1.5mm
82mm	1.5mm
85mm	1.5mm

Ø D	Thickness
85mm	1.5mm
90mm	1.5mm
95mm	1.5mm
100mm	1.5mm
107mm	1.5mm
110mm	1.5mm
115mm	1.5mm
120mm	1.5mm
130mm	1.5mm
135mm	1.5mm
140mm	1.5mm
146mm	1.5mm



Saddle Fastening Clamp / Pipe Bracket (DIN 1592/1593/1596/1597).



Diameter (mm)	Diameter (inch)	C (mm)	C (inch)	L (mm)	Design
50mm	2	11	1/2	85	A
60mm	2 3/8"	11	1/2	90	A
70mm	2 3/4"	11	1/2	100	A
75mm	3	11	1/2	105	A
80mm	3 1/8"	11	1/2	122	A
90mm	3 1/2"	11	1/2	115	B
100mm	3 7/8"	11	1/2	120	B
110mm	4 3/8"	11	1/2	150	A
115mm	4 1/2"	11	1/2	155	A
120mm	4 3/4"	11	1/2	160	B



Custom Designed Clamps and Product Development



As the leading solution provider in its sector, the Invicta's aim is to always stay a step ahead in innovation and the development of new products. Invicta's strengths as a solution provider are considerable. To start with, the unrivaled breadth of its product range – itself the result of continual striving to develop new solutions for its customers' needs – puts the Group in a class of its own. Offering a vast range of metal clamps and couplings, Invicta can often propose different solutions for a single application. New product development benefits from extensive lifetime-testing and validation facilities that allow Invicta to carry out virtually all necessary tests in-house, analyzing any solution and application particularly effectively.



TOYOTA EXHAUST CLAMP




SPRINKLER CLAMP



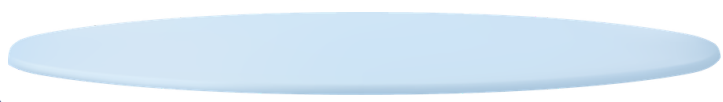

Size	25-300 mm
Material	MS
Type of Clamp	U Clamp
Surface Treatment	Electroplating
Thickness	1.5mm - 3 mm



Size	25-150 mm
Material	MS, Rubber
Type of Clamp	U Clamp
Class	Medium Duty
Usage/Application	Pipe Fitting
Finish	Electrical Galvanized



Usage/Application	Pipe Fitting
Type	Lt Clamp
Material	Stainless Steel
Color	Silver
Thickness	3-5 mm
Surface Treatment	Powder Coated
Width	1-2 Inch





NO HUB COUPLING



DIAMETER		Installation Torque 60 in.lb (6.8Nm)
MM	INCH	
DN40	1.5"	
DN50	2"	
DN75	3"	
DN100	4"	
DN125	5"	
DN150	6"	
DN200	8"	
DN250	10"	
DN300	12"	



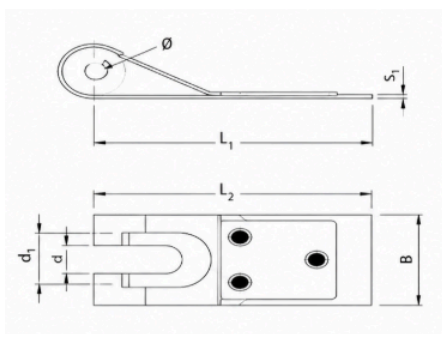
U-CLIP



\varnothing D
6x15mm
8x20mm
8x25mm
10x32mm
10x40mm
10x50mm
12x65mm
16x80mm
16x100mm
16x125mm
20x150mm
20x200mm
20x250mm
24x300mm
24x350mm
24x400mm



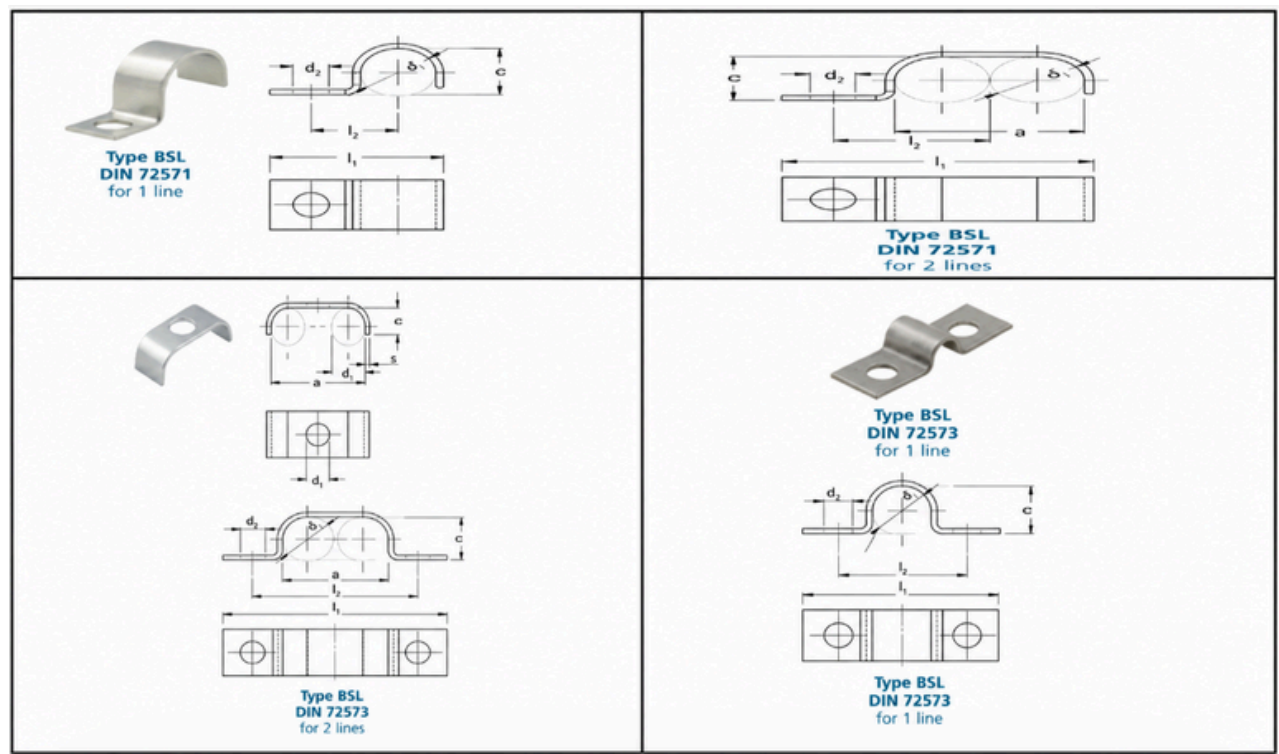
TURN BUCKLES



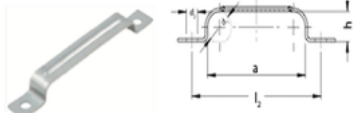
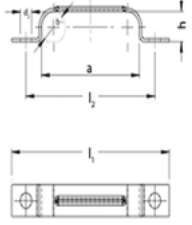

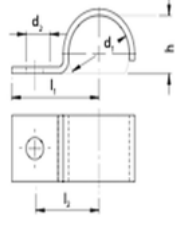

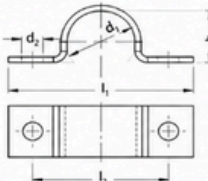

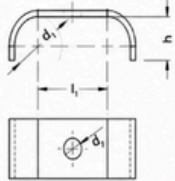

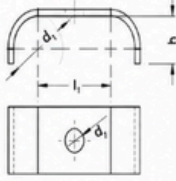

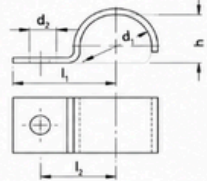

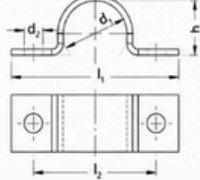
Materials				
W1	W2	W3	W4	W5
x	-	-	x	x



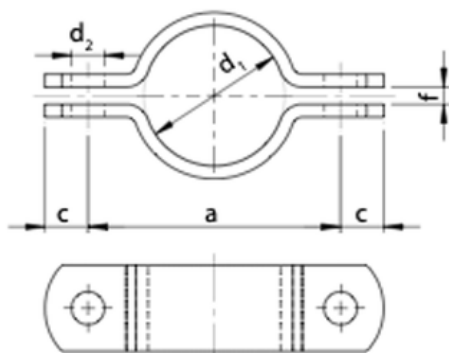
LIGHT FASTENING CLAMPS



LIGHT FASTENING CLAMPS

 <p>Type BSL DIN 72573 for up to 12 lines</p> 	 <p>Type BSN 1-tab</p> 
 <p>Type BSN 2-tab</p> 	 <p>Type BSN for 2 lines</p> 
 <p>Type BSS for 2 lines</p> 	 <p>Type BSS 1-tab</p> 
 <p>Type BSS 2-tab</p> 	

DIN3567 CLAMP



Heavy pipe clamp conforming to DIN 3567, Form A

$\varnothing d_1$	To be used for nominal diameter	a	c	$\varnothing d_2$	f	Steel mm	Accessory: Hexagon screw	Weight kg* 100 pairs
11 20	15	57						19
11 22		59						20
25	20	62						21
27	¾"	66						22
30	25	68						23
34	1"	72	15	11,5	7	30 x 5	M 10 x 30 Mu	24
38	32	76						26
43	1¼"	82						27
45	40	84						28
49	1½"	88						30
57	50	104						54
61	2"	108						55
77	65	122	18	14	9	40 x 6	M 12 x 35 Mu	60
89	80	136						70
108	100	172						140
115		178						145
133	125	196						168
140		204						180
159	150	222	24	18	11	50 x 8	M 16 x 45 Mu	200
169		232						205
194	175	258						240
216	200	280						255
220		284						260
267	250	342	30	23	14	60 x 8	M 20 x 50 Mu	360
273		348						390
318	300	392						435
324		398						445
368	350	444	36	27	18	70 x 10	M 24 x 60 Mu	520
407	400	498						840
419		510						860
521	500	614						1020



DOUBLE BOLT DIN CLAMP



Available in: Zinc Plating, Chrome-Plating, and Stainless Steel 304 Bolt: M8 or M10 or M12 DIN603 Carriage Bolt (Depending on Diameter) Pre-Assembled with Bolt, Nut, and Washer Applications: Agricultural Machines, Building Machines, Engine Manufacturing This clamp can also function as a fixing clip.

Available Sizes (mm)		
Size in Ø	Width	Thickness
30.2 MM	20 MM	2 MM
32.2 MM	20 MM	2 MM
35.2 MM	20 MM	2 MM
37.2 MM	20 MM	2 MM
40.3 MM	25 MM	3 MM
42.3 MM	25 MM	3 MM
45.5 MM	25 MM	3 MM
48.5 MM	25 MM	3 MM
50.5 MM	25 MM	3 MM
53.5 MM	25 MM	3 MM
55.5 MM	25 MM	3 MM
58.5 MM	25 MM	3 MM
60.5 MM	25 MM	3 MM
63.5 MM	25 MM	3 MM
65.5 MM	25 MM	3 MM
68.5 MM	25 MM	3 MM
70.5 MM	30 MM	4 MM
73.5 MM	30 MM	4 MM
75.5 MM	30 MM	4 MM
78.5 MM	30 MM	4 MM
80.5 MM	30 MM	4 MM
83.5 MM	30 MM	4 MM

Available Sizes (mm)		
Size in Ø	Width	Thickness
85.5 MM	30 MM	4 MM
90.5 MM	30 MM	4 MM
94.5 MM	30 MM	4 MM
100.5 MM	30 MM	4 MM
102.5 MM	30 MM	4 MM
104.5 MM	30 MM	4 MM
108.5 MM	30 MM	4 MM
110.5 MM	30 MM	4 MM
114.5 MM	30 MM	4 MM
120.5 MM	30 MM	4 MM
124.5 MM	30 MM	4 MM
127.5 MM	30 MM	4 MM
130.5 MM	30 MM	4 MM
134.5 MM	30 MM	4 MM
152.5 MM	30 MM	4 MM
168.5 MM	30 MM	4 MM
220.5 MM	30 MM	4 MM
250.5 MM	30 MM	4 MM
255.5 MM	30 MM	4 MM
273.5 MM	30 MM	4 MM
275.5 MM	30 MM	4 MM
300.5 MM	30 MM	4 MM

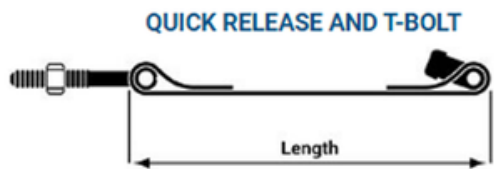
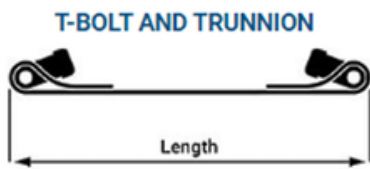
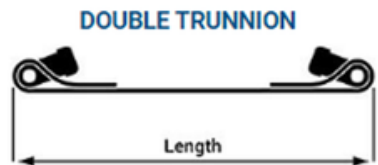
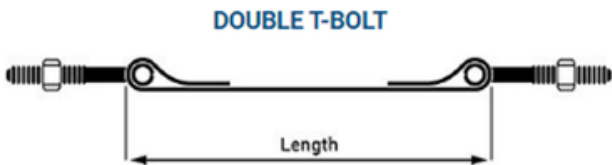


STRAPS & STRAP ASSEMBLIES



Invicta India heavy-duty stainless steel strap assemblies are frequently specified for industrial, commercial, aerospace and defense applications. Straps are commonly used to secure custom shapes to mounting surfaces. Lengths range from 2.25 in. up to the customer's desired length. For certain applications, strap assemblies may be joined together to arrive at the required length. Customers specify latch styles, material gauge, band width and hardware. Custom anti-vibration liners can also be affixed to the strap surface, if desired. Invicta India can perform straps to closely match your application, and reduce assembly time during installation.

Invicta Straps

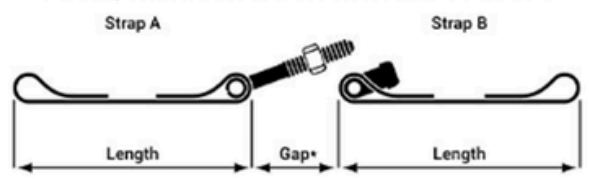




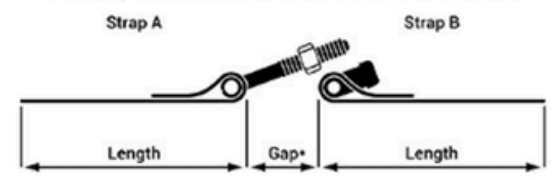
STRAPS & STRAP ASSEMBLIES

Invicta Strap Assemblies

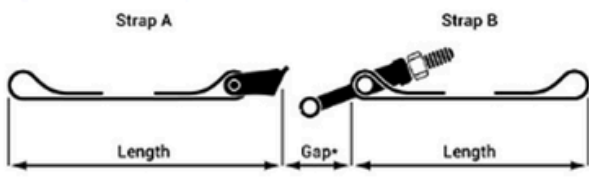
T-BOLT/TRUNNION LATCH WITH EMPTY LOOPS



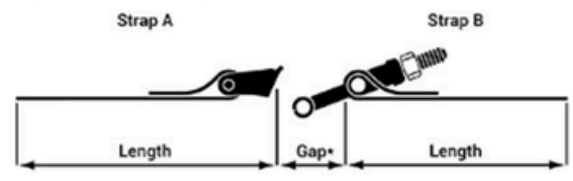
T-BOLT/TRUNNION LATCH WITH FLAT ENDS



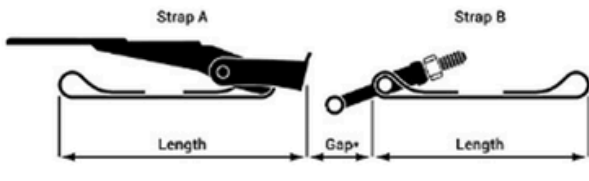
QUICK RELEASE/T-BOLT LATCH WITH EMPTY LOOPS



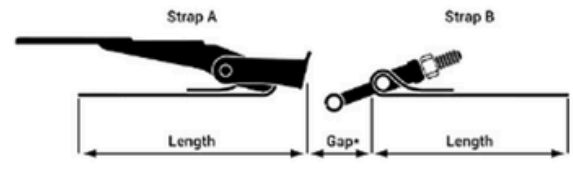
QUICK RELEASE/T-BOLT LATCH WITH FLAT ENDS



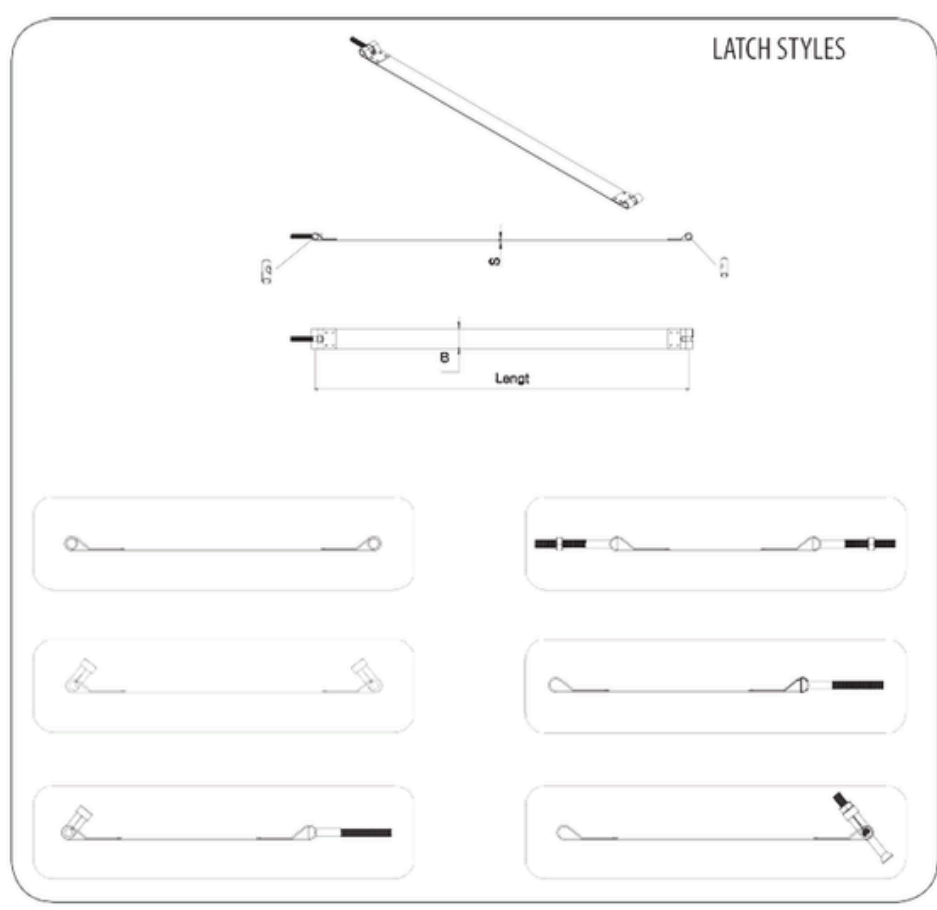
OVER CENTER/T-BOLT LATCH WITH EMPTY LOOPS



OVER CENTER/T-BOLT LATCH WITH FLAT ENDS



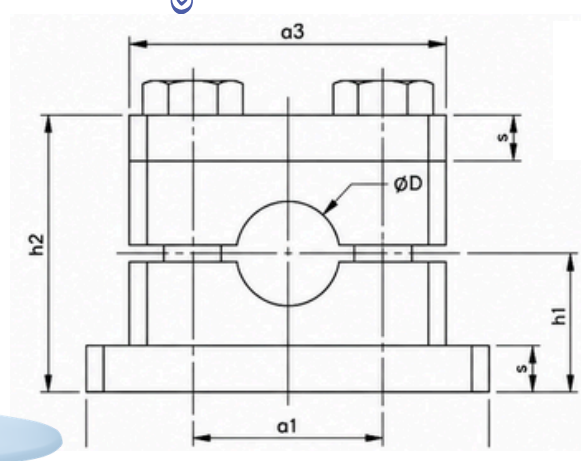
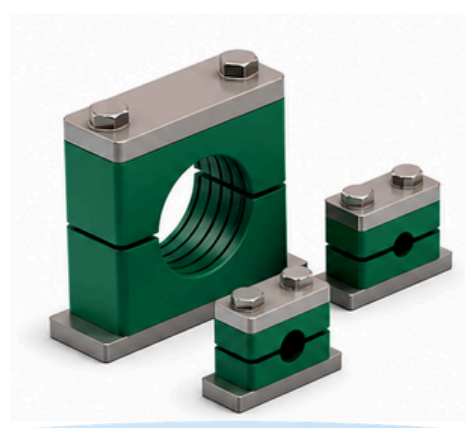
STRAPS & STRAP ASSEMBLIES



Band Thickness (mm)	Material	Bolt		Bolt Material
		inch.	Metric	
1 - 1,2 mm	1.0347 (Plated) AISI 430 AISI 304 AISI 301 AISI 316	1/4 inc. M6 1/4 - 5/16 inc. 5/16 inc. 3/8 inc.	M6 M8 M10	AISI 410 AISI 304 Steel 8.8 (Plated)
1 - 1,5 mm				
1,2 - 1,5 mm				
1,2 - 1,5 - 2 mm				
1,2 - 1,5 - 2 mm				
1,5 - 2 - 2,5 - 3 mm				



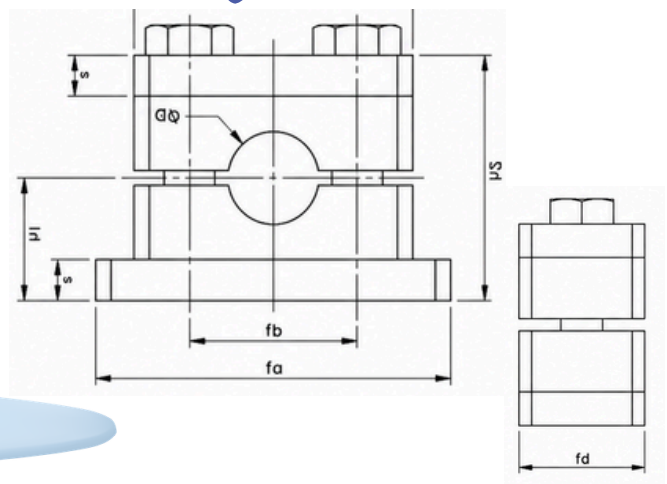
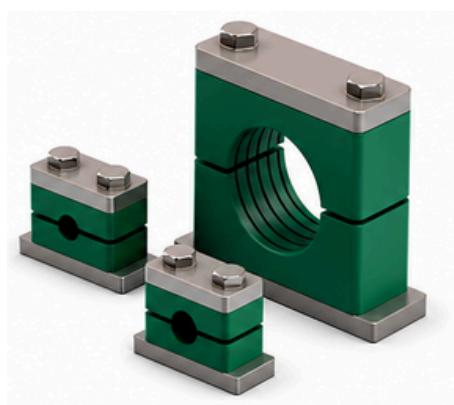
DIN3015 CLAMP LIGHT DUTY CLAMP



Group	Tube O.D	Model No.	a2	a3	a1	s	h2	Bolt Size
A	4.0	LPC4M	43	37	20	3	33	M6 x 30
	6.0	LPC6M						
	6.4	LPC6.4M						
	8.0	LPC8M						
	9.5	LPC9.5M						
	10.0	LPC10M						
B	12.0	LPC12M	48	42	26	3	39	M6 x 35
	12.7	LPC12.7M						
	13.5	LPC13.5M						
	14.0	LPC14M						
	15.0	LPC15M						
	16.0	LPC16M						
C	17.2	LPC17.2M	56	50	33	3	42	M6 x 40
	18.0	LPC18M						
	19.0	LPC19M						
	20.0	LPC20M						
	21.3	LPC21.3M						
	22.0	LPC22M						
D	25.0	LPC25M	65	59	40	3	48	M6 x 45
	28.9	LPC28.9M						
	28.0	LPC28M						
	30.0	LPC30M						
	32.0	LPC32M						
	33.7	LPC33.7M						
E	35.0	LPC35M	77	71	52	3	64	M6 x 60
	38.0	LPC38M						
	40.0	LPC40M						
	42.0	LPC42M						
	44.5	LPC44.5M						
	48.3	LPC48.3M						
F	50.8	LPC50.8M	92	86	66	3	72	M6 x 70
	57.2	LPC57.2M						
	60.3	LPC60.3M						
	63.5	LPC63.5M						
	70.0	LPC70M						
	73.0	LPC73M						
G	76.1	LPC76.1M	122	118	94	5	103	M6 x 100



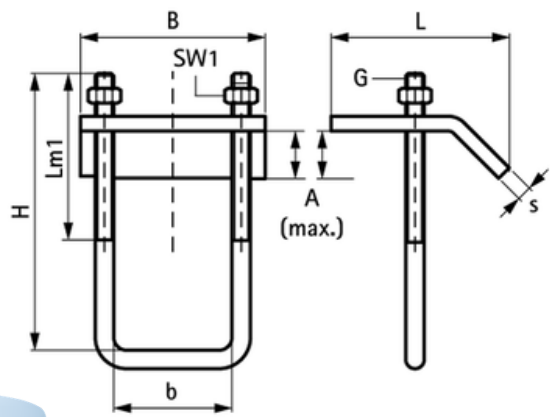
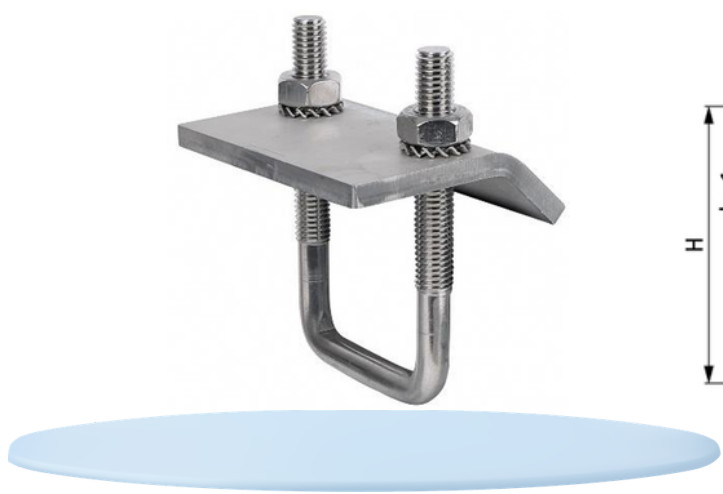
DIN3015 CLAMP HEAVY DUTY CLAMP



Group	Tube O.D	Model No.	a3	a1	h2	b1	a2	s	Bolt Size
A	6.0	HPC6M	55	33	48	30	70	8	M10 x 45
	6.4	HPC6.4M							
	8.0	HPC8M							
	9.5	HPC9.5M							
	10.0	HPC10M							
	12.0	HPC12M							
	12.7	HPC12.7M							
	13.5	HPC13.5M							
	15.0	HPC14M							
	16.0	HPC15M							
	16.0	HPC16M							
B	17.2	HPC17.2M	70	45	64	30	85	8	M10 x 60
	18.0	HPC18M							
	19.0	HPC19M							
	20.0	HPC20M							
	21.3	HPC21.3M							
	22.0	HPC22M							
	25.0	HPC25M							
	26.9	HPC26.9M							
C	28.0	HPC28M	85	60	76	30	100	8	M10 x 70
	30.0	HPC30M							
	33.7	HPC33.7M							
D	35.0	HPC35M	115	90	107	45	140	10	M12 x 100
	38.0	HPC38M							
	42.0	HPC42M							
	48.3	HPC48.3M							
	60.3	HPC60.3M							
E	63.5	HPC63.5M	152	122	140	60	160	10	M16 x 130
	65.0	HPC65M							
	70.0	HPC70M							
	73.0	HPC73M							
	76.1	HPC76.1M							
F	88.9	HPC88.9M	206	168	197	80	226	15	M20 x 190
	102.0	HPC102M							
	114.0	HPC114M							
	127.0	HPC127M							
G	133.0	HPC133M	251	205	230	91	270	15	M24 x 225
	152.0	HPC152M							
	168.0	HPC168M							
H	193.7	HPC193.7M	320	265	320	120	340	25	M24 x 225



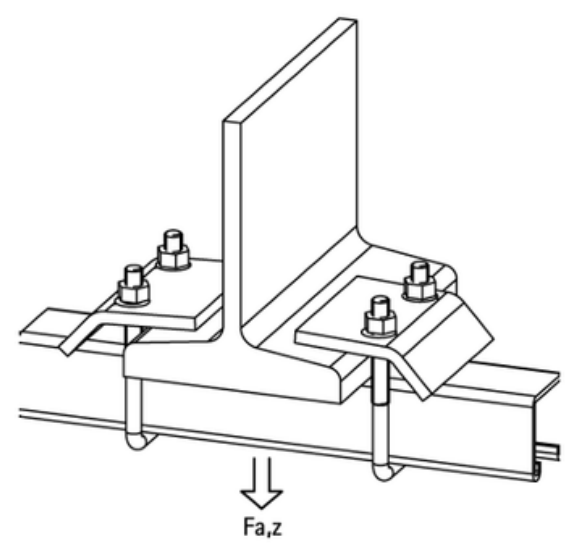
BIS STRUT STAINLESS STEEL BEAM CLAMP



Features & Benefits

- for a solid fixing under flanges without welding or drilling
- always use 2 beam clamps per fixing
- material: stainless steel 1.4401/1.4404 (A4) - EN 10088, AISI 316/316L

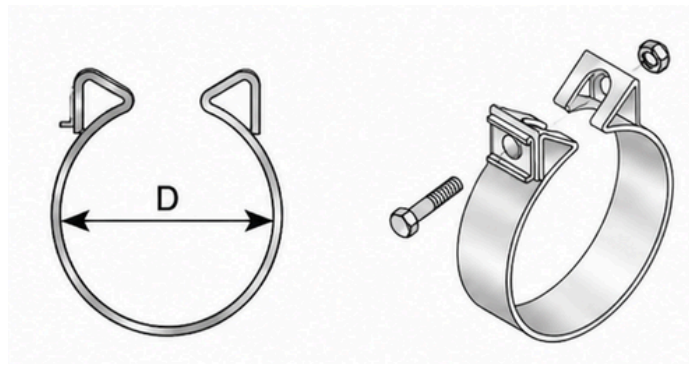
A (mm)	G	L	B (mm)	H (mm)	s (mm)	Lm1 (mm)	SW1 (mm)	For Rail	Fa,z (N)
17.5	M10	69 mm	80	90	6	60	17	Strut 41x21 + 41x41	5,700
20	M10	69 mm	80	130	6	75	17	Strut 41x41D	5,700



www.invictaclamps.com



SCANIA CLAMP



Size
114,0-119,0
119,0-124,0





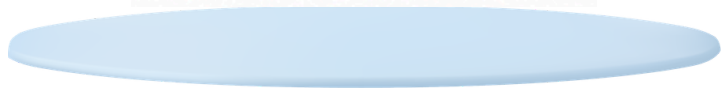
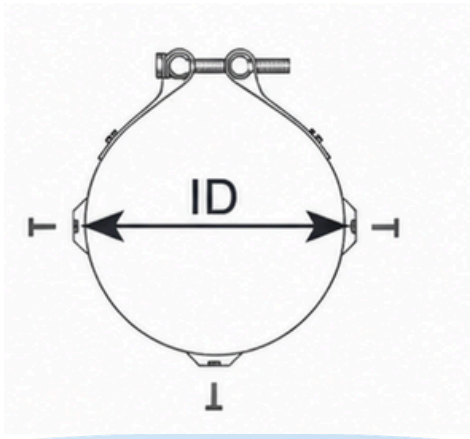
TWIST CLAMP



Size	Size	Size
76,2	127,0	265,0
88,9	184,0	284,0
101,6	206,0	300,0
114,3	250,0	300,0

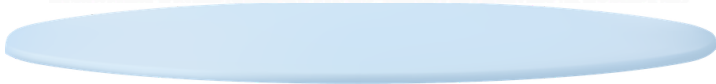
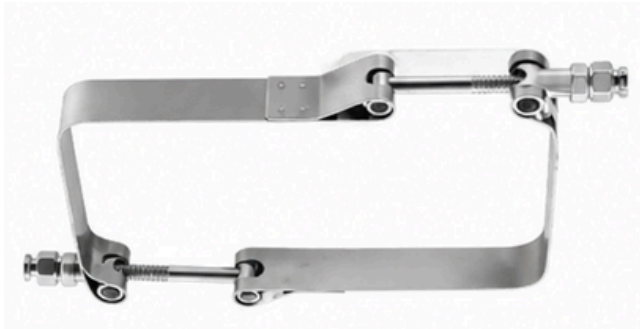


VIP SILENCER EXHAUST CLAMP





RECTANGULAR DOUBLE T-BOLT CLAMP






OBLONG SPRING LOADED DOUBLE T-BOLT CLAMP

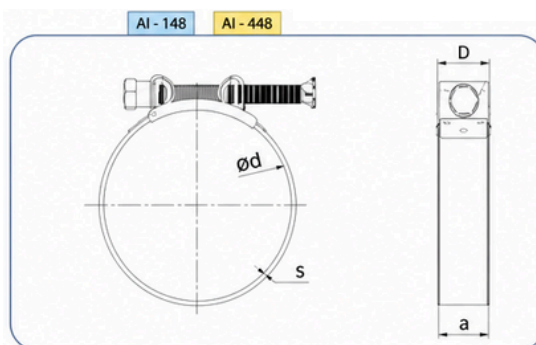


OBLONG SPRING LOADED DOUBLE T-BOLT CLAMP



S.NO.	MATERIAL	DIAMETER RANGE	DIMENSIONS	
1	250 Stainless Steel, material no. 1.4307/UNS S30403	15.0 – 120.5 mm	10.0 x 0.8 mm	
			10.0 x 1.0 mm	
			10.0 x 1.2 mm	
2	150 Stainless Steel, material no. 1.4307/UNS S30403	5.0 – 50.0 mm	-	
3	150 Aluminum, Material EN AW-5754	24.5 – 120.0 mm	-	

HEAVY DUTY HOSE CLAMP

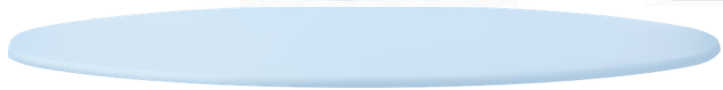
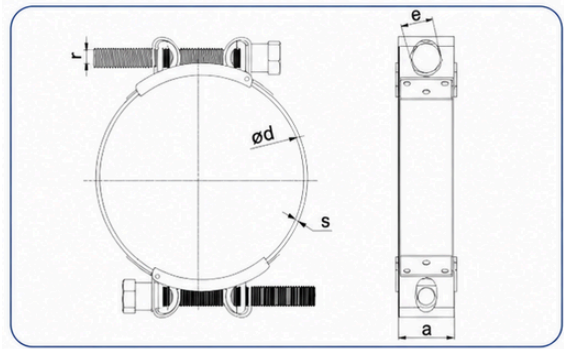


SIZE		OEM CODE			r	e	a	b	s	Max. Value	
mm	INCH	W1	W2	W4	(mm)	(mm)	(mm)	(mm)	(mm)	torque /nm	pressure /bar
17*19	11/16 - 3/4	AI - 113	AI - 213	AI - 413	M6	8	18	19,8	0,8	7	50
19*21	3/4 - 13/16	AI - 114	AI - 214	AI - 414							
21*23	13/16 - 29/32	AI - 115	AI - 215	AI - 415							
23*25	29/32 - 1	AI - 116	AI - 216	AI - 416							
25*27	1 - 11/16	AI - 117	AI - 217	AI - 417							
27*29	11/16 - 15/32	AI - 118	AI - 218	AI - 418							
29*31	15/32 - 17/32	AI - 119	AI - 219	AI - 419							
31*34	17/32 - 15/16	AI - 120	AI - 220	AI - 420							
34*37	15/16 - 1 7/16	AI - 121	AI - 221	AI - 421							
37*40	1 7/16 - 1 9/16	AI - 122	AI - 222	AI - 422							
40*43	1 9/16 - 1 11/16	AI - 123	AI - 223	AI - 423	M7	10	20	22	1	16	48
43*47	1 11/16 - 1 7/8	AI - 124	AI - 224	AI - 424							
47*51	1 7/8 - 2	AI - 125	AI - 225	AI - 425							
51*55	2 - 2 5/32	AI - 126	AI - 226	AI - 426							
55*59	2 5/32 - 2 5/16	AI - 127	AI - 227	AI - 427							
59*63	2 5/16 - 2 1/2	AI - 128	AI - 228	AI - 428							
63*68	2 1/2 - 2 11/16	AI - 129	AI - 229	AI - 429							
68*73	2 11/16 - 2 7/8	AI - 130	AI - 230	AI - 430							
73*79	2 7/8 - 3 1/8	AI - 131	AI - 231	AI - 431							
79*85	3 1/8 - 3 11/32	AI - 132	AI - 232	AI - 432							
85*91	3 11/32 - 3 9/16	AI - 133	AI - 233	AI - 433	M8	13	25	27,5	1,2	25	45
91*97	3 9/16 - 3 13/16	AI - 134	AI - 234	AI - 434							
97*104	3 13/16 - 4 3/32	AI - 135	AI - 235	AI - 435							
104*112	4 3/32 - 4 3/8	AI - 136	AI - 236	AI - 436							
112*121	4 3/8 - 4 3/4	AI - 137	AI - 237	AI - 437							
121*130	4 3/4 - 5 1/8	AI - 138	AI - 238	AI - 438							
130*140	5 1/8 - 5 1/2	AI - 139	AI - 239	AI - 439							
140*150	5 1/2 - 5 7/8	AI - 140	AI - 240	AI - 440							
150*162	5 7/8 - 6 3/8	AI - 141	AI - 241	AI - 441							
162*174	6 3/8 - 6 7/8	AI - 142	AI - 242	AI - 442							
174*187	6 7/8 - 7 3/8	AI - 143	AI - 243	AI - 443	M10	15	28	31	1,5	50	46
187*200	7 3/8 - 7 7/8	AI - 144	AI - 244	AI - 444							
200*213	7 7/8 - 8 3/8	AI - 145	AI - 245	AI - 445							
213*226	8 3/8 - 8 7/8	AI - 146	AI - 246	AI - 446							
226*239	8 7/8 - 9 3/8	AI - 147	AI - 247	AI - 447							
239*252	9 3/8 - 9 7/8	AI - 148	AI - 248	AI - 448							

W Material		
Symbol	Tape/Band	Bolt
W1	DIN 1624 Zn Plated	20 MnB4 Zn Plated
W2	AISI 430 Stainless Steel	20 MnB4 Zn Plated
W4	AISI 304 Stainless Steel	AISI 304 Stainless Steel



DOUBLE HEAVY DUTY HOSE CLAMPS



SIZE		OEM CODE			r	e	a	b	s	Max. Value	
mm	INCH	W1	W2	W4	(mm)	(mm)	(mm)	(mm)	(mm)	torque /nm	pressure /bar
59*67	2 3/16-2 5/8	DAI-111	DAI-211	DAI-311	M7	10	20	22	1	16	30
67*75	2 5/8-2 15/16	DAI-112	DAI-212	DAI-312							28
75*83	2 15/16-3 1/4	DAI-113	DAI-213	DAI-313							20
83*91	3 1/4-3 9/16	DAI-114	DAI-214	DAI-314							12
88*100	3 3/8-4	DAI-115	DAI-215	DAI-315							20
100*116	4-4 9/16	DAI-116	DAI-216	DAI-316	M8	13	25	27,5	1,2	25	12
116*136	4 9/16-5 3/8	DAI-117	DAI-217	DAI-317							9
136*156	5 3/8-6 5/32	DAI-118	DAI-218	DAI-318							9
156*180	6 5/32-7 3/32	DAI-119	DAI-219	DAI-319							9
125*145	4 15/16-5 11/16	DAI-120	DAI-220	DAI-320							9
145*168	5 11/16-6 5/8	DAI-121	DAI-221	DAI-321	M10	15	28	31	1,5	50	6
168*193	6 5/8-7 19/32	DAI-122	DAI-222	DAI-322							6
193*220	7 19/32-8 21/32	DAI-123	DAI-223	DAI-323							6
220*245	8 21/32-9 21/32	DAI-124	DAI-224	DAI-324							6
245*270	9 21/32-10 3/5	DAI-125	DAI-225	DAI-325							6
270*295	10 3/5-11 10/16	DAI-126	DAI-226	DAI-326	3	3					
295*320	11 10/16-12 3/5	DAI-127	DAI-227	DAI-327		3					
320*345	12 3/5-13 7/12	DAI-128	DAI-228	DAI-328		3					

W Material		
Symbol	Tape/Band	Bolt
W1	DIN 1624 Zn Plated	20 MnB4 Zn Plated
W2	AISI 430 Stainless Steel	20 MnB4 Zn Plated
W4	AISI 304 Stainless Steel	AISI 304 Stainless Steel



NARROW TYPE HEAVY DUTY HOSE CLAMP

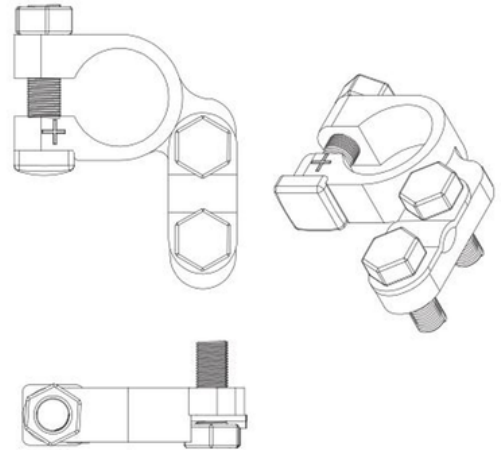


SIZE	OEM CODE	r	a	s
mm	W2	(mm)	(mm)	(mm)
16*19	AI - 494			
18*21	AI - 495			
20*23	AI - 496			
22*25	AI - 497			
24*27	AI - 498			0.6
26*30	AI - 499			
29*33	AI - 500			
32*36	AI - 501			
35*40	AI - 502			
38*43	AI - 503			
41*48	AI - 504			
44*51	AI - 505			
48*56	AI - 506			
51*59	AI - 507			
54*62	AI - 508			
57*65	AI - 509			
60*68	AI - 510			
63*72	AI - 511			
67*75	AI - 512			
70*78	AI - 513			
73*81	AI - 514			
76*84	AI - 516			
78*86	AI - 517	M5 (8.8)	14	0.8
82*91	AI - 518			
86*94	AI - 519			
89*97	AI - 520			
90*98	AI - 520			
92*100	AI - 521			
95*103	AI - 522			
101*110	AI - 523			
103*111	AI - 524			
105*113	AI - 526			
108*116	AI - 528			
116*122	AI - 529			
121*129	AI - 530			
127*135	AI - 531			
133*141	AI - 532			
140*148	AI - 533			
146*154	AI - 534			
152*160	AI - 536			
159*167	AI - 537			
165*173	AI - 536			
171*180	AI - 537			
178*186	AI - 538			
184*192	AI - 539			
190*198	AI - 539			
197*205	AI - 540			
197*205	AI - 541			
203*211	AI - 543			
210*218	AI - 544			
216*224	AI - 545			

W Material		
Symbol	Tape/Band	Bolt
W2	AISI 430 Stainless Steel	20 MnB4 Zn Plated

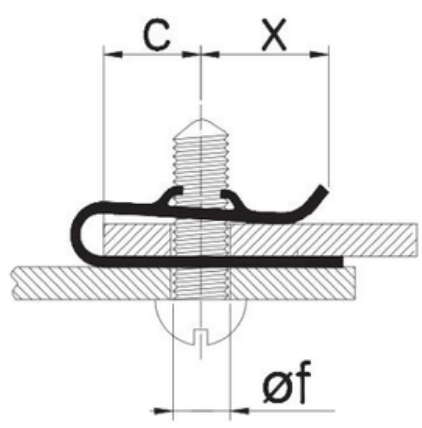
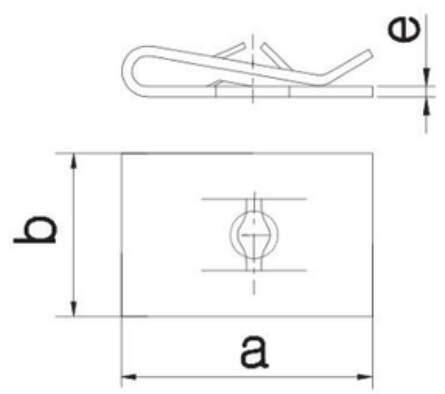


BATTERY TERMINAL





CLIP






COUPLINGS SINGLO/DOUBLO CASSETTE PIPED PATCH




Type CHA Coupling

Specification	Pcs/carton	Packing Size(cm)	Weigh(kg)
2"	100	41*31*24	12
3"	100	56*41*26	15
4"	100	70*51*27	19
5"	50	49*33*53	15
6"	50	57*37*53	17
8"	20	45*45*32	30





COUPLINGS SINGLO/DOUBLO CASSETTE PIPED PATCH

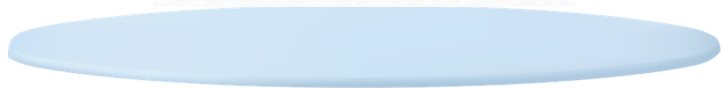


Type B Coupling

Specification	Pcs/carton	Packing Size(cm)	Weigh(kg)
2"	100	41*31*24	12
3"	100	56*41*26	15
4"	100	70*51*27	19
5"	50	49*33*53	15
6"	50	57*37*53	17
8"	20	45*45*32	30



COUPLINGS SINGLO/DOUBLO CASSETTE PIPED PATCH



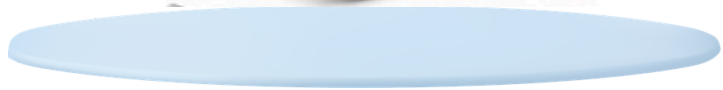
Type C Coupling

Specification	Pcs/carton	Packing Size(cm)	Weigh(kg)
2"	100	41*31*24	12
3"	100	56*41*26	15
4"	100	70*51*27	19
5"	50	49*33*53	15
6"	50	57*37*53	17
8"	20	45*45*32	30





COUPLINGS SINGLO/DOUBLO CASSETTE PIPED PATCH



Type F Coupling

Specification	Pcs/carton	Packing Size(cm)	Weigh(kg)
2"	100	37*29*32	23
3"	100	48*39*32	26
4"	100	70*49*31	33
5"	50	61*44*42	29
6"	50	71*49*42	31
8"	30	70*47*55	30
10"	10	55*28*54	22
12"	10	64*33*74	27
15"	10	80*40*74	37





SPIRAL BOLT HOSE CLAMP



Technical Data—Spiral Bolt Hose Clamp

Size		Band Thickness (mm)	Bolt Diameter (mm)
Inch	mm		
1	33	1	6
1.2	40	1	6
1.5	48	1	6
2	62	1	6
2.2	70	1	6
2.5	78	1.2	8
3	93	1.2	8
3.5	105	1.2	8
4	116	1.2	8
4.5	130	1.2	8
5	143	1.2	8
5.5	155	1.2	8
6	167	1.5	10
6.5	187	1.5	10
8	220	1.5	10
8.5	245	1.5	10
10	280	1.5	10
10.5	300	1.5	10
12	330	1.5	10

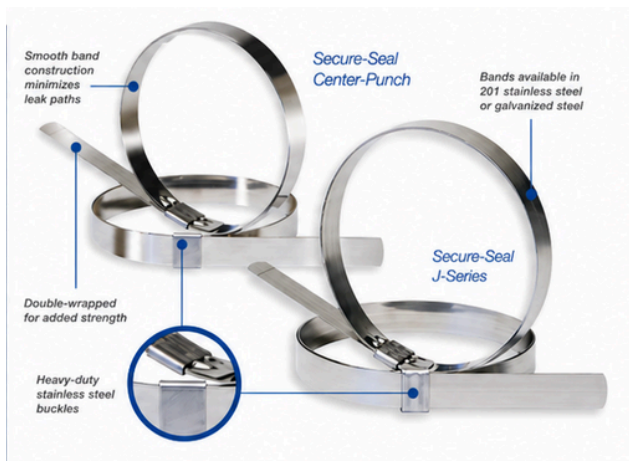




THROBBING CLAMP

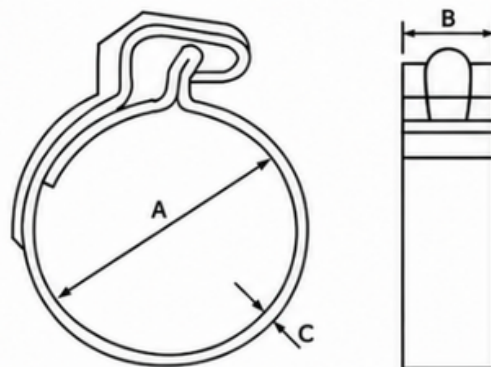


Permanent Band Clamps Invicta Throbbing Clamp are ideal for medium- to heavy-duty industrial hose and strapping applications. Invicta Secure-Strap, available in rolled and self-dispensing totes, and Invicta Secure-Seal, available in preformed J-Series or Center-Punch versions, are offered in 201 stainless steel or high-strength galvanized steel. Invicta also offers a wide variety of manual tools along with innovative power-tool solutions to make installation quick and easy.



Dimension (mm)	Dimension (inch)	Band Width	Band Width	Band Width
32	1 1/4"	6.3	15	/
35	1 3/8"	6.3	15	/
38	1 1/2"	6.3	15	/
44	1 3/4"	6.3	15	/
51	2"	6.3	15	19
57	2 1/4"	6.3	15	19
64	2 1/2"	/	15	19
70	2 3/4"	/	15	19
76	3"	/	15	19
89	3 1/2"	/	15	19
102	4"	/	15	19
114	4 1/2"	/	15	19
127	5"	/	15	19
152	6"	/	15	19
178	7"	/	15	19
203	8"	/	15	19

CLIC



CLIC / Technical Data-CLIC

Diameter (Inch)	Diameter (mm)	Band Width (mm)	Band Thickness (mm)
0.33-0.37	8.38-9.40	5.8	0.5
0.35-0.41	8.89-10.41		
0.37-0.43	9.40-10.92		
0.39-0.45	9.91-11.43		
0.41-0.47	10.41-11.94		
0.43-0.49	10.92-12.45		
0.45-0.51	11.43-12.95		
0.47-0.53	11.94-13.46		
0.49-0.55	12.45-13.97		
0.51-0.55	12.95-13.97		
0.53-0.59	13.46-14.99		
0.55-0.60	13.97-15.24		
0.57-0.62	14.48-15.75		
0.59-0.64	14.99-16.26		
0.60-0.66	15.24-16.76		
0.62-0.68	15.75-17.27		
0.64-0.70	16.26-17.78		
0.66-0.72	16.76-18.29		
0.68-0.74	17.27-18.80		
0.70-0.76	17.78-19.30		
0.72-0.76	18.29-19.30		
0.74-0.80	18.80-20.32		
0.76-0.82	19.30-20.83		
0.78-0.84	19.81-21.34		
0.80-0.86	20.32-21.84		
0.82-0.90	20.83-22.86		
0.84-0.92	21.34-23.37		
0.86-0.94	21.84-23.88		
0.88-0.96	22.35-24.38		
0.92-0.99	23.37-25.15		
0.94-1.01	23.88-25.65		
		7.8	





EAR. LOW PROFILE. 2-EAR. MINI. SPRING. CLIC CLAMP



Normal Situation Dimension (mm)	Working Situation Dimension (mm)
64.4	60
64.9	60.5
65.4	61
65.9	61.5
66.4	62
...	...
...	...
112.4	108
112.9	108.5
113.4	109
113.9	109.5
114.4	110

Normal Situation Dimension (mm)	Working Situation Dimension (mm)
22	19.5
22.5	20
23	20.5
23.5	21
24	21.5
...	...
...	...
110.5	108
111	108.5
111.5	109
112	109.5
112.5	110

Note: band 7mm, thickness 6mm--706r dimention range from 66.9mm to 111.9mm, clamps can be supplied per 0.5mm.

band 9mm, thickness 6mm--906R dimention range from 24.5mm to 110mm, clamps can be supplied per 0.5mm.



DPF COUPLER CLAMP



Large diameter diesel particular filter (DPF) clamp creates a reliable joint seal between separate sections of DPF.
 For built joint style connections tall hardware for socket clearance low profile for tight packaging space diameter ranges 10 9/16 - 13 9/16

Nominal Joint Diameter (Pipe O.D.)	
Inch	mm
10 9/16	267.6
11 13/16	300.75
13 9/16	345.2



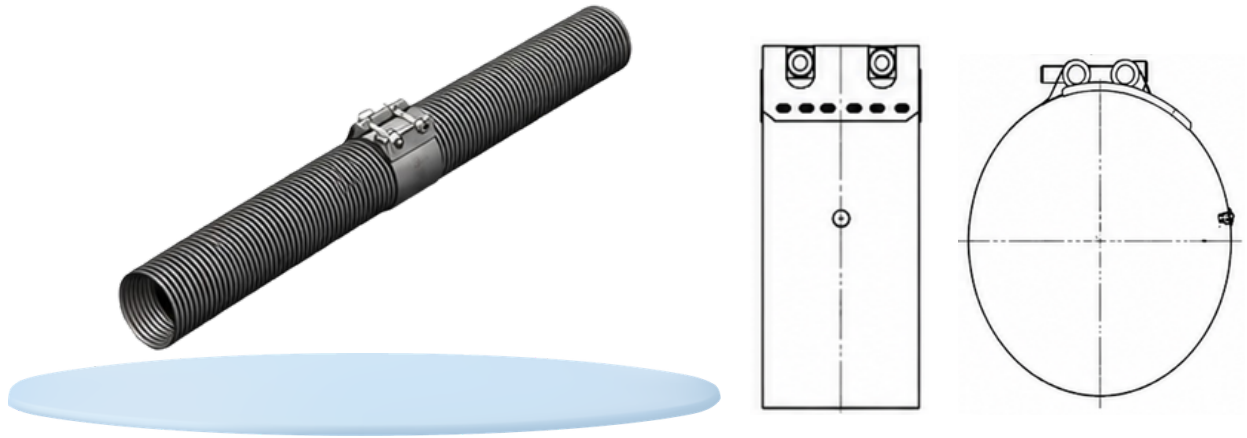
Citroen / Peugeot / Mini Clamps



Available Sizes
59 mm
62 mm
67 mm
70 mm
80 mm
83 mm
92 mm
94 mm



Flex joiner Clamp



Ø flex	
mm	Inch
77,1	3
81,0	3 1/8
88,9	3 1/2
102,7	4 3/8
110,0	4 1/3
115,5	4 1/2
121,1	4 3/4
132,0	5 1/16
157,5	6 1/5



3 Hole type Exhaust Plate



Available in : Zinc Plating, Chrome Plating, Stainless Steel 304 Custom Sizes Available on Request

Available Sizes
42mm
48mm
57mm
73mm

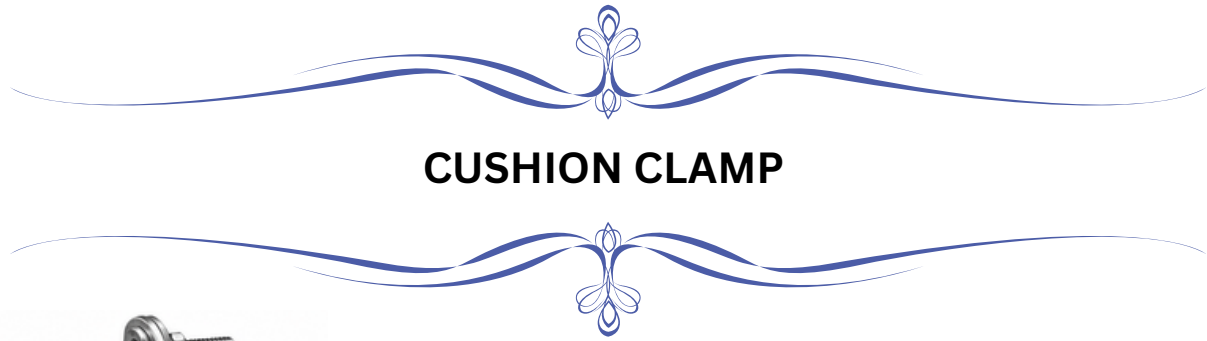


Bridge Clamp / Worm Gear Band



Clamping Range (mm)	Band Width (mm)	Part Number	W2	Part Number	W4
40 - 60	9	BS 40-60 /9W2		SPSG 40-60 /9W4	
50 - 70		BS 50-70 /9W2		SPSG 50-70 /9W4	
60 - 80		BS 60-80 /9W2		SPSG 60-80 /9W4	
70 - 90		BS 70-90 /9W2		SPSG 70-90 /9W4	
80 - 100		BS 80-100 /9W2		SPSG 80-100 /9W4	
90 - 110		BS 90-110 /9W2		SPSG 90-110 /9W4	
40 - 60	12	BS 40-60 /12W2		SPSG 40-60 /12W4	
50 - 70		BS 50-70 /12W2		SPSG 50-70 /12W4	

MATERIALS	
W2	Band and housing made of stainless steel 1.4016, screw made of zinc-plated steel with cross recess
W4	All parts made of stainless steel 1.4301 (=V2A), screw with slotted head
All dimensions in mm	



CUSHION CLAMP



Size & detail of clamp

1. Cushion Clamps, SS 304 Size: 5/8" (Pipe OD) Bush should withstand – 50 Deg C to + 110 Deg C
2. Cushion Clamps, SS 304 Size: 7/8" (Pipe OD) Bush should withstand – 50 Deg C to + 110 Deg C
3. Cushion Clamps, SS 304 Size: 1 1/8" (Pipe OD) Bush should withstand – 50 Deg C to + 110 Deg C
4. Cushion Clamps, SS 304 Size: 1 3/8" (Pipe OD) Bush should withstand – 50 Deg C to + 110 Deg C





TOOTHED CLAMP



Material: stainless steel
Type: toothed
other characteristics: band

AVAILABLE SIZE	
INCH	MM
2	50
3-1/2	88
4	102
5	127
6	152
7	177
8	203
9	228
10	254
12	305
14	355
16	406
18	457
20	508



DG2 PIPE CLAMPS WITH WELDING WOOD SCREW



PRODUCT CODE	SIZE (MM)	SIZE (INCH)	SCREW	WIDTH *THICKNES	CONNECTION SCREW	(A) MM	MAX.RECOM.LOAD.N
BRD5W1-012015-07EP01	12-15	1/4	7*70	20*1.5	M6*18	57.5	800
BRD5W1-015019-07EP01	15-19	3/8	7*70	20*1.5	M6*18	61.5	800
BRD5W1-020025-07EP01	20-25	1/2	7*70	20*1.5	M6*25	67.0	800
BRD5W1-025030-07EP01	25-30	3/4	7*70	20*1.5	M6*25	72.3	800
BRD5W1-031037-07EP01	31-37	1	7*70	20*1.5	M6*25	79.3	800
BRD5W1-038044-07EP01	38-44	1 1/4	7*70	20*1.5	M6*25	86.0	800
BRD5W1-045052-07EP01	45-52	1 1/2	7*70	20*1.5	M6*25	94.3	800
BRD5W1-053058-07EP01	53-58	-	7*70	20*1.5	M6*25	101.3	800
BRD5W1-059065-07EP01	59-65	2	7*70	20*1.5	M6*25	108.6	800
BRD5W1-067074-07EP01	67-74	-	7*70	25*2	M6*25	124.0	800
BRD5W1-074082-07EP01	74-80	2 1/2	7*70	25*2	M6*25	130.5	800

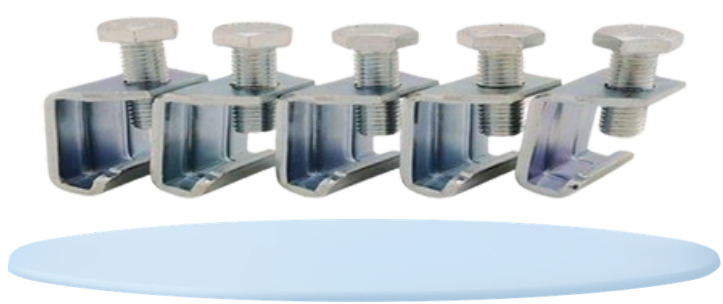
DG2 PIPE CLAMPS WITH WELDING WOOD SCREW



PRODUCT CODE	SIZE (MM)	SIZE (INCH)	SCREW	WIDTH *THICKNES	CONNECTION SCREW	(A) MM	MAX.RECOM.LOAD.N
BRD5W1-012015-08EP01	12-15	1/4	7*100	20*1.5	M6*18	57.5	800
BRD5W1-015019-08EP01	15-19	3/8	7*100	20*1.5	M6*18	61.5	800
BRD5W1-020025-08EP01	20-25	1/2	7*100	20*1.5	M6*25	67.0	800
BRD5W1-025030-08EP01	25-30	3/4	7*100	20*1.5	M6*25	72.3	800
BRD5W1-031037-08EP01	31-37	1	7*100	20*1.5	M6*25	79.3	800
BRD5W1-038044-08EP01	38-44	1 1/4	7*100	20*1.5	M6*25	86.0	800
BRD5W1-045052-08EP01	45-52	1 1/2	7*100	20*1.5	M6*25	94.3	800
BRD5W1-053058-08EP01	53-58	-	7*100	20*1.5	M6*25	101.3	800
BRD5W1-059065-08EP01	59-65	2	7*100	20*1.5	M6*25	108.6	800
BRD5W1-067074-08EP01	67-74	-	7*100	25*2	M6*25	124.0	800
BRD5W1-074082-08EP01	74-80	2 1/2	7*100	25*2	M6*25	130.5	800
BRD5W1-074082-08EP01	82-92	3	7*100	25*2	M6*30	141.5	800
BRD5W1-074082-08EP01	90-102	-	7*100	25*2	M6*35	151.0	800
BRD5W1-074082-08EP01	108-118	4	7*100	25*2	M6*30	168.0	800
BRD5W1-074082-08EP01	120-130	-	7*100	25*2	M6*30	181.0	800



TORK G CLAMPS



F	S	A	D	E	B	C
M8X20	2.5	30	20	12.7	19	7.3



STRIP STEEL & LOCKING DEVICE 9MM



PRODUCT CODE	MR060W1-009-01
DESCRIPTION	STRIP STEEL
BAND WIDTH (B1)	9MM
BAND THICKNESS (S)	0.60MM
BAND LENGTH	30 M
QUANTITY PCS BOX	10



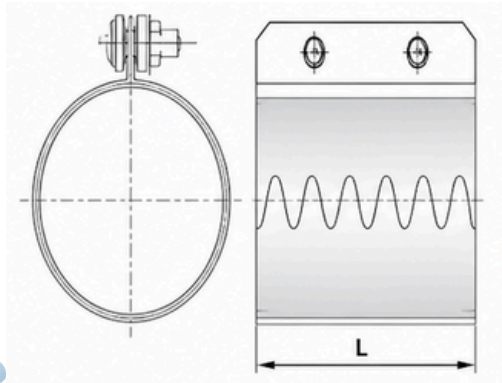
Custom Clamps



We are perfectly set up to fulfil almost any special request and professionally meet any requirements our clients have regarding versions, materials and surfaces of hose and fastening clamps. High-quality Invicta custom clamps are one of our core manufacturing strengths. We create expert, fast-turnaround solutions to your special product requirements!

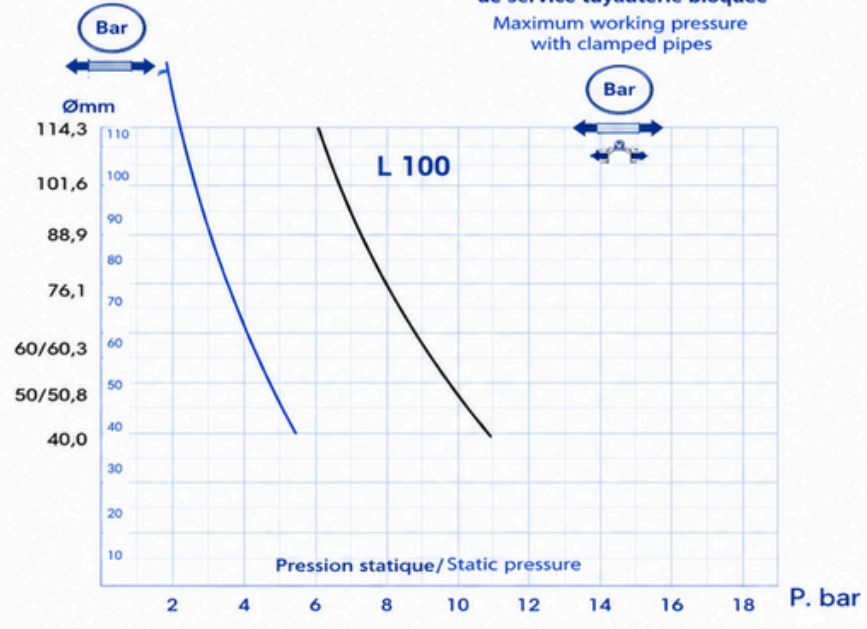


Sleeves and Coupling



Pression maximum de service tuyauterie libre
Maximum working pressure with free-hanging pipes

Pression maximum de service tuyauterie bloquée
Maximum working pressure with clamped pipes



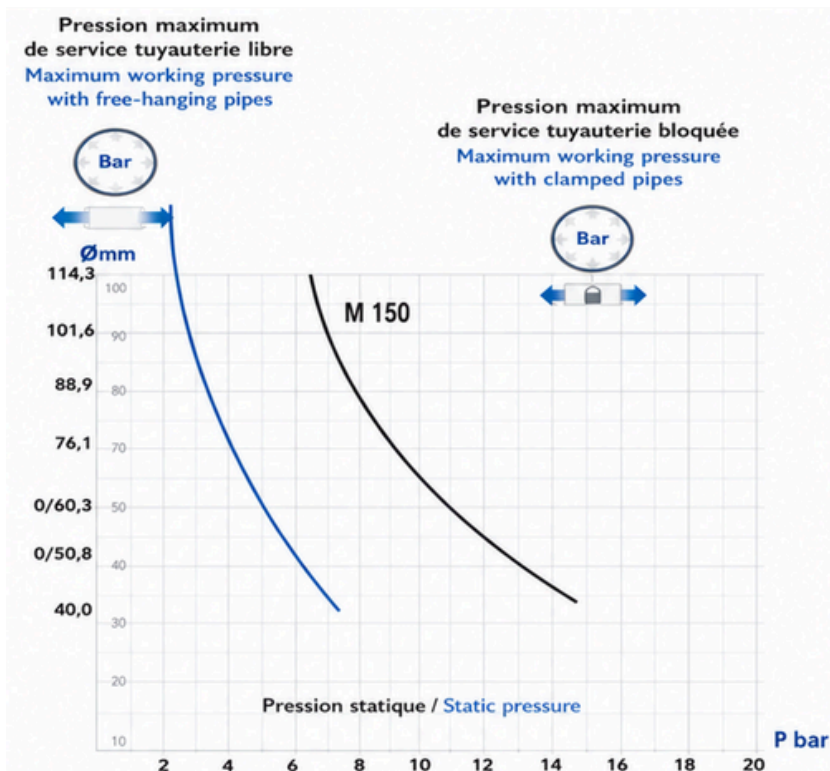
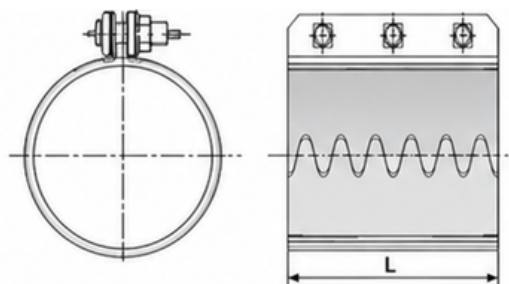
Options

- All Stainless steel 304L version
- White NBR gasket FDA-30°C/+110°C; European regulation 1935/2004 CE and reach 1907/2006 CE.
- Silicone VMQ gasket -65°C/+225°C
- Blue Silicone gasket -40°C/+180°C
- Coupling with clamps and side bars
- Coupling for two tubes with different diameters
- Conductivity strip in copper CU A1
- Conductive protecting ring in SS304L

Specification of standard coupling

- Outside skin in stainless steel 304
- Black SBR gasket - 30°C/+80°C
- Zinc plated bolts
- Conductivity with eyelet

Sleeves and Coupling



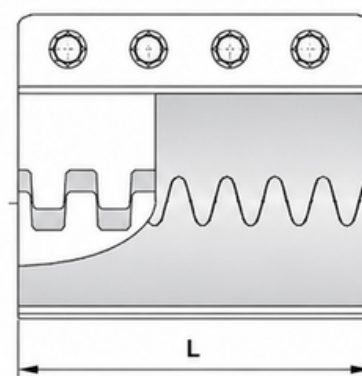
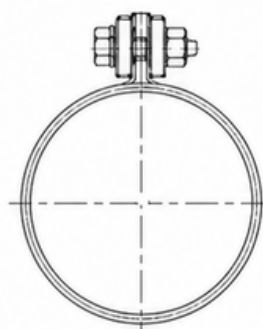
Specification of standard coupling

- Outside skin in stainless steel 304
- Black SBR gasket - 30°C/+80°C
- Zinc plated bolts
- Conductivity with eyelet

Options

- All Stainless steel 304L version
- White NBR gasket FDA-30°C/+110°C; European regulation 1935/2004 CE and reach 1907/2006 CE.
- Silicone VMQ gasket -65°C/+225°C
- Blue Silicone gasket -40°C/+180°C
- Viton FPM gasket -20°C/+250°C
- Coupling with clamps and side bars
- Coupling for two tubes with different diameters
- Conductivity strip in copper CU A1
- Conductive protecting ring in SS304L

Sleeves and Coupling



DESCRIPTION STANDARD

SPECIFICATION OF STANDARD COUPLING

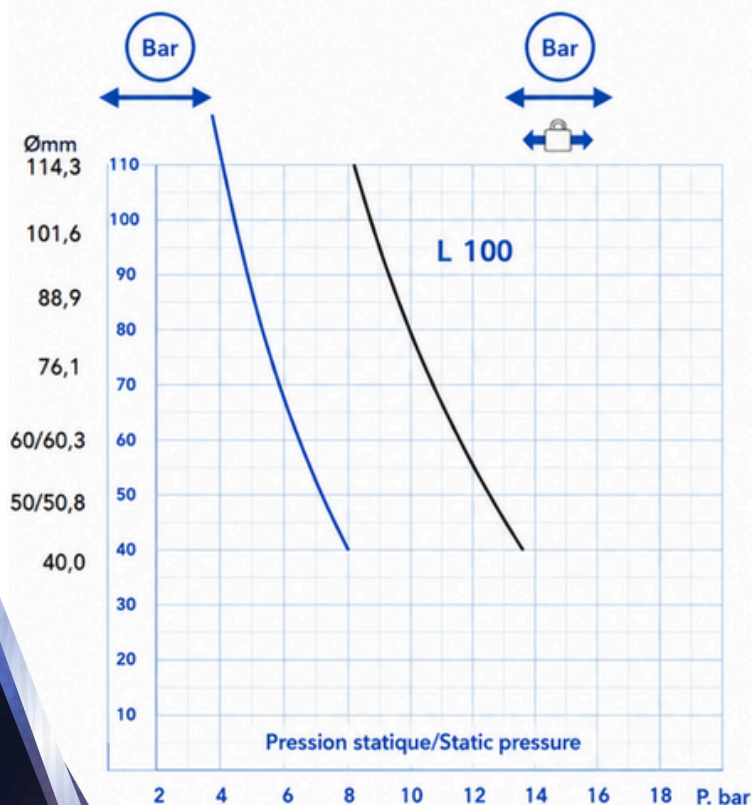
- Enveloppe extérieure acier galvanisé
- Outside skin in galvanised steel
- Enveloppe intérieure acier galvanisé
- Inside skin in galvanised steel
- Joint NBR blanc FDA -30°C / +110°C ; Règlement Européen 1935/2004 CE et REACH 1907/2006 CE
- White NBR gasket FDA -30°C / +110°C; European Regulation 1935/2004 CE and REACH 1907/2006 CE
- Boulons zingés
- Zinc plated bolts
- Lamelle de conductivité inox 304 L
- Stainless steel 304 L, conductivity strip

OPTIONS

- Version tout inox 304L
- All stainless steel 304L version
- Joint SBR noir -30°C / +80°C
- Black SBR gasket -30°C / +80°C
- Joint silicone VMQ -65°C / +225°C
- Silicone VMQ gasket -65°C / +225°C
- Joint silicone détectable bleu -40°C / +180°C
- Blue silicone gasket -40°C / +180°C
- Joint Viton FPM noir -20°C / +250°C
- Viton FPM gasket -20°C / +250°C
- Raccord pont
- Coupling with clamp and side bars
- Lamelle de conductivité cuivre CU A1
- Conductivity strip in copper CU A1
- Anneau protecteur conducteur inox 304L
- Conductive protection ring in stainless steel 304L

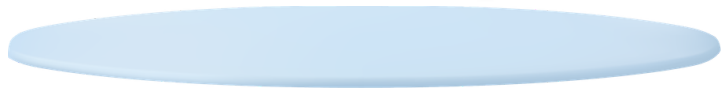
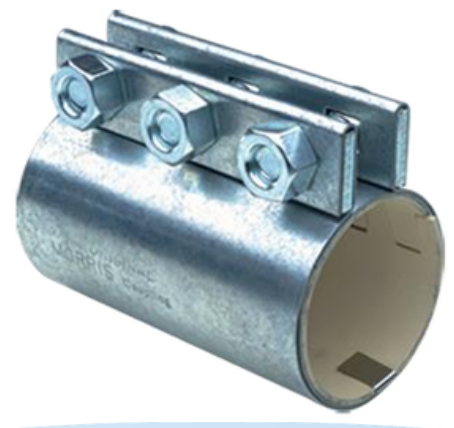
Pression maximum
de service tuyauterie libre
Maximum working pressure
with free-hanging pipes

Pression maximum
de service tuyauterie bloquée
Maximum working pressure
with clamped pipes





Sleeves and Coupling



COMPRESSION COUPLINGS

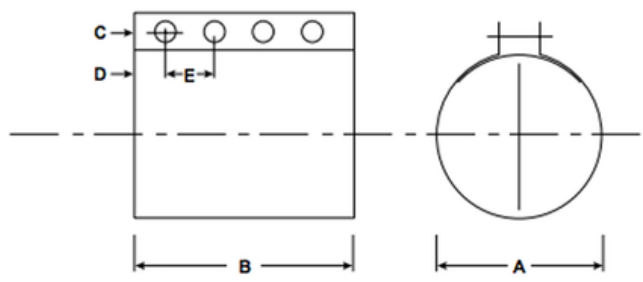
The compression coupling designed to join pipe and tubing for pneumatic conveying systems.

- Easy to install
- Pipe and tube sizes 1/2" through 48"
- Standard construction is heavy gauge zinc-plated steel
- Also available in stainless steel and aluminum
- Static conductive grounding strip is standard

Size	Thickness	
	Shell	Sleeve
1/2" - 2-7/8" OD	0.052	0.052
3" OD	0.052	0.052
3-1/4" - 5" OD	0.062	0.052
5-1/4" - 8-5/8" OD	0.062	0.052
9" - 24" OD	0.062	0.052



Sleeves and Coupling



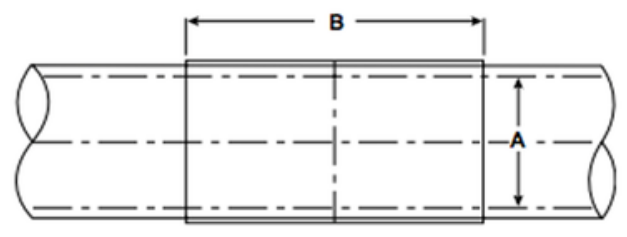
CLAMP SLEEVES

Standard clamp sleeves are manufactured from galvanized steel. For other materials contact the factory. All hardware is included and assembled in the coupling for customer convenience. Clamp sleeves are designed for low-pressure systems. Designed to be used in message tube systems. Not suitable for pneumatic conveying.

I.D.	Length	Number of Holes	D	E	Gauge
A	B	C			
3"	5"	4	.40"	1.40"	18
4"	5"	4	.40"	1.40"	18
6"	5"	4	.40"	1.40"	18
8"	5"	4	.40"	1.40"	18



Sleeves and Coupling



SOLID SLEEVES

Galvanized steel solid sleeves for low-pressure systems. The solid sleeve fits the outside diameter of the tubing or fitting. It may be attached by the use of a shrink sleeve, adhesive, brazing or welding.

I.D.	Length	Gauge
A	B	
3"	4"	16
4"	5"	16
5"	6"	16
6"	3"	16
6"	6"	16
8"	3"	16
8"	6"	16





Mounting Strap



Available Diameters

To Suit Application

Available Materials

300 & 400 Series Stainless Steel, Inconel,
others on request

Bolt Sizes Available - Metric

To Suit Application

Bolt Sizes Available - Imperial

To Suit Application

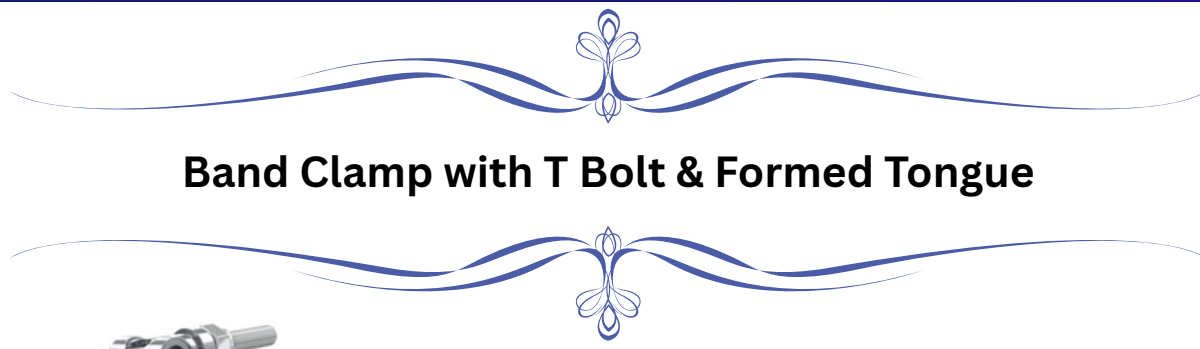
Strap Width Options

Strap width is determined by clamp design
and bolt size

Operating Temperatures Guide

*Note Stated Temperatures are for guidance only. For
specific temperature ratings for each clamp type and
design please contact our Engineering Department.

From -40°C to 900°C Gas Temp based on
correct material selection



Band Clamp with T Bolt & Formed Tongue



Available Diameters

50mm - 800mm

Available Materials

300 & 400 Series Stainless Steel, Inconel, others on request

Bolt Sizes Available - Metric

M6, M8

Bolt Sizes Available - Imperial

1/4", 5/16"

Max. Torque Settings - Metric

M6 – 10Nm

M8 – 20Nm

Max. Torque Settings - Imperial

1/4" – 7.38 ft lb

5/16" – 14.75 ft lb

Strap Width Options

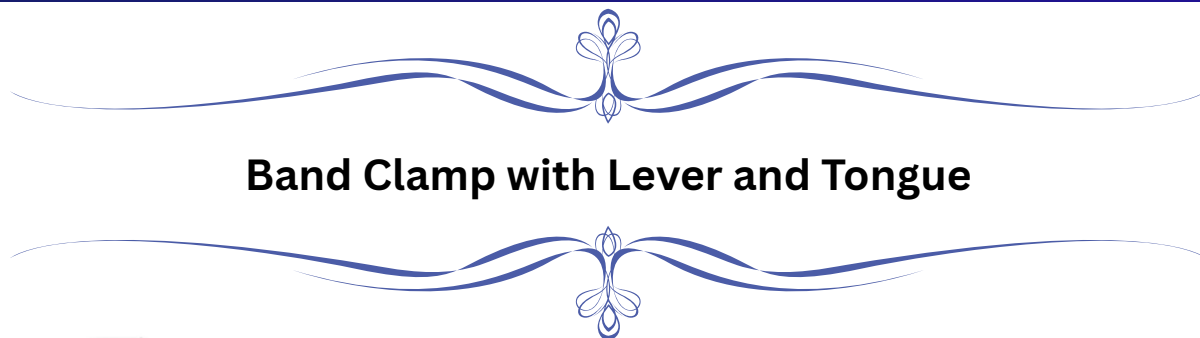
Strap width is determined by clamp design and bolt size

Operating Temperatures Guide

*Note Stated Temperatures are for guidance only. For specific temperature ratings for each clamp type and design please contact our Engineering Department.

From -40°C to 900°C Gas Temp based on correct material selection





Band Clamp with Lever and Tongue



Available Diameters

90mm - 800mm

Available Materials

300 & 400 Series Stainless Steel, Inconel, others on request

Bolt Sizes Available - Metric

M6, M8

Bolt Sizes Available - Imperial

1/4", 5/16"

Max. Torque Settings - Metric

M6 – 10 Nm

M8 – 20Nm

Max. Torque Settings - Imperial

1/4" – 7.38 ft lb

5/16" – 14.75 ft lb

Strap Width Options

Strap width is determined by clamp design and bolt size

Operating Temperatures Guide

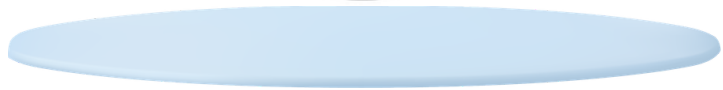
*Note Stated Temperatures are for guidance only. For specific temperature ratings for each clamp type and design please contact our Engineering Department.

From -40°C to 900°C Gas Temp based on correct material selection





B2B style Clamp



Available Diameters

60mm- 800mm

Available Materials

300 & 400 Series Stainless Steel, Inconel, others on request

Bolt Sizes Available - Metric

M6, M8

Bolt Sizes Available - Imperial

1/4", 5/16"

Max. Torque Settings - Metric

M6 – 10Nm

M8 – 20Nm

Max. Torque Settings - Imperial

1/4" – 7.38 ft lb

5/16" – 14.75 ft lb

Strap Width Options

Strap width is determined by clamp design and bolt size

Operating Temperatures Guide

*Note Stated Temperatures are for guidance only. For specific temperature ratings for each clamp type and design please contact our Engineering Department.

From -40°C to 900°C Gas Temp based on correct material selection





Band Clamp with Qucik Realease & Tongue



Available Diameters

60mm - 800mm

Available Materials

300 & 400 Series Stainless Steel, Inconel, others on request

Bolt Sizes Available - Metric

M6, M8

Bolt Sizes Available - Imperial

1/4", 5/16"

Max. Torque Settings - Metric

M6 – 10Nm

M8 – 20Nm

Max. Torque Settings - Imperial

1/4" – 7.38 ft lb

5/16" – 14.75 ft lb

Strap Width Options

Strap width is determined by clamp design and bolt size

Operating Temperatures Guide

*Note Stated Temperatures are for guidance only. For specific temperature ratings for each clamp type and design please contact our Engineering Department.

From -40°C to 900°C Gas Temp based on correct material selection



Band Clamp T Bolt And Tongue



Available Diameters

60mm - 800mm

Available Materials

300 & 400 Series Stainless Steel, Inconel, others on request

Bolt Sizes Available - Metric

M6, M8

Bolt Sizes Available - Imperial

1/4", 5/16"

Max. Torque Settings - Metric

M6 – 10 Nm

M8 – 20Nm

Max. Torque Settings - Imperial

1/4" – 7.38 ft lb

5/16" – 14.75 ft lb

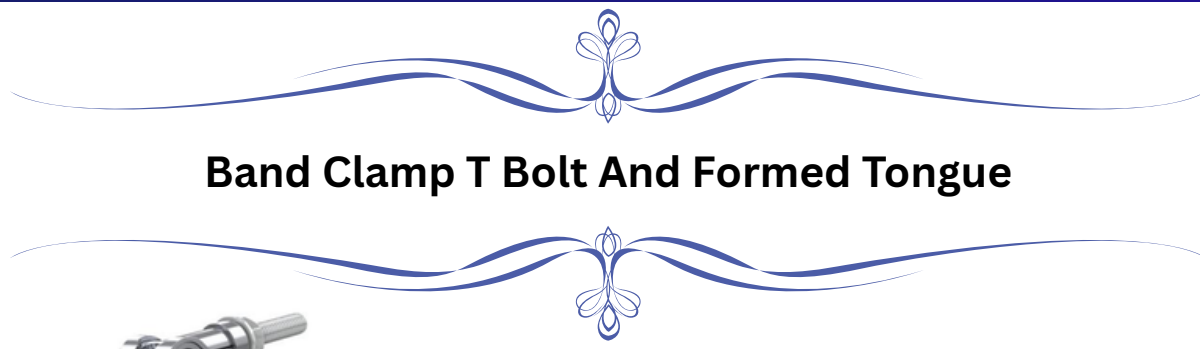
Strap Width Options

Strap width is determined by clamp design and bolt size

Operating Temperatures Guide

*Note Stated Temperatures are for guidance only. For specific temperature ratings for each clamp type and design please contact our Engineering Department.

From -40°C to 900°C Gas Temp based on correct material selection



Band Clamp T Bolt And Formed Tongue



Available Diameters

70mm- 1000mm

Available Materials

300 & 400 Series Stainless Steel, Inconel, others on request

Bolt Sizes Available - Metric

M8, M10, M12

Bolt Sizes Available - Imperial

1/4", 5/16", 3/8"

Max. Torque Settings - Metric

M8 – 20Nm

M10 – 27Nm

M12 – 42Nm

Max. Torque Settings - Imperial

1/4" – 7.38 ft lb

5/16" – 14.75 ft lb

3/8" – 20 ft lb

Strap Width Options

Strap width is determined by clamp design and bolt size

Operating Temperatures Guide

*Note Stated Temperatures are for guidance only. For specific temperature ratings for each clamp type and design please contact our Engineering Department.

From -40°C to 900°C Gas Temp based on correct material selection





Band Clamp



Available Diameters

50mm - 500mm

Available Materials

300 & 400 series Stainless Steel

Bolt Sizes Available - Metric

M8, M10, M12, M16

Bolt Sizes Available - Imperial

1/4", 5/16", 3/8"

Max. Torque Settings - Metric

To be confirmed by application

Max. Torque Settings - Imperial

1/4" – 7.38 ft lb

5/16" – 14.75 ft lb

3/8" – 20 ft lb

Strap Width Options

Strap width is determined by clamp design and bolt size

Operating Temperatures Guide

*Note Stated Temperatures are for guidance only. For specific temperature ratings for each clamp type and design please contact our Engineering Department.

From -40°C to 900°C Gas Temp based on correct material selection



Mounting Strap



Available Diameters

200mm - 600mm

Available Materials

300 & 400 Series Stainless Steel, Inconel,
others on request

Bolt Sizes Available - Metric

To Suit Application

Bolt Sizes Available - Imperial

To Suit Application

Strap Width Options

Strap width is determined by clamp design
and bolt size

Operating Temperatures Guide

*Note Stated Temperatures are for guidance only. For
specific temperature ratings for each clamp type and
design please contact our Engineering Department.

From -40°C to 900°C Gas Temp based on
correct material selection





Band Clamp With Quick Release



Available Diameters

60mm - 800mm

Available Materials

300 & 400 Series Stainless Steel, Inconel, others on request

Bolt Sizes Available - Metric

M6, M8, M10

Bolt Sizes Available - Imperial

1/4", 5/16", 3/8"

Max. Torque Settings - Metric

M6 – 10Nm

M8 – 20Nm

M10 – 27Nm

Max. Torque Settings - Imperial

1/4" – 7.38 ft lb

5/16" – 14.75 ft lb

3/8" – 20 ft lb

Strap Width Options

Strap width is determined by clamp design and bolt size

Operating Temperatures Guide

*Note Stated Temperatures are for guidance only. For specific temperature ratings for each clamp type and design please contact our Engineering Department.

From -40°C to 900°C Gas Temp based on correct material selection



Mounting Strap



Available Diameters

To Suit Application

Available Materials

300 & 400 Series Stainless Steel, Inconel, others on request

Bolt Sizes Available - Metric

M6, M8, M10, M12

Bolt Sizes Available - Imperial

1/4", 5/16", 3/8"

Max. Torque Settings - Metric

M6 – 10Nm

M8 – 20Nm

M10 – 27Nm

M12 – 42Nm

Max. Torque Settings - Imperial

1/4" – 7.38 ft lb

5/16" – 14.75 ft lb

3/8" – 20 ft lb

Strap Width Options

Strap width is determined by clamp design and bolt size

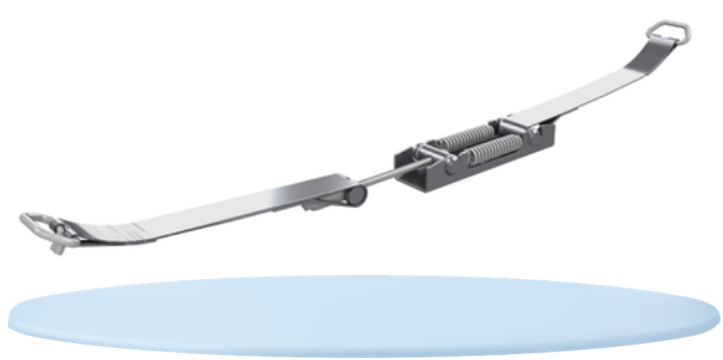
Operating Temperatures Guide

*Note Stated Temperatures are for guidance only. For specific temperature ratings for each clamp type and design please contact our Engineering Department.

From -40°C to 900°C Gas Temp based on correct material selection




Mounting Strap

Available Diameters
To Suit Application

Available Materials
300 & 400 Series Stainless Steel

Bolt Sizes Available - Metric
To Suit Application

Bolt Sizes Available - Imperial
To Suit Application

Strap Width Options
Strap width is determined by clamp design and bolt size

Operating Temperatures Guide
*Note Stated Temperatures are for guidance only. For specific temperature ratings for each clamp type and design please contact our Engineering Department.
From -40°C to 900°C Gas Temp based on correct material selection





Band Clamp Qucik Release No tongue



Available Diameters

60mm - 500mm

Available Materials

300 & 400 Series Stainless Steel, Inconel, others on request

Bolt Sizes Available - Metric

M6, M8, M10

Bolt Sizes Available - Imperial

1/4", 5/16", 3/8"

Max. Torque Settings - Metric

M6 – 10Nm

M8 – 20Nm

M10 – 27Nm

Max. Torque Settings - Imperial

1/4" – 7.38 ft lb

5/16" – 14.75 ft lb

3/8" – 20 ft lb

Strap Width Options

Strap width is determined by clamp design and bolt size

Operating Temperatures Guide

*Note Stated Temperatures are for guidance only. For specific temperature ratings for each clamp type and design please contact our Engineering Department.

From -40°C to 900°C Gas Temp based on correct material selection



Band Clamp Qucik Release No tongue



Available Diameters
100mm - 500mm

Available Materials
300 & 400 Series Stainless Steel, Inconel,
others on request

Bolt Sizes Available - Metric
M6, M8, M10, M12

Bolt Sizes Available - Imperial
1/4", 5/16", 3/8"

Max. Torque Settings - Metric
M6 – 10Nm
M8 – 20Nm
M10 – 27Nm
M12 – 42Nm

Max. Torque Settings - Imperial
1/4" – 7.38 ft lb
5/16" – 14.75 ft lb
3/8" – 20 ft lb

Strap Width Options
Strap width is determined by clamp design
and bolt size

Operating Temperatures Guide
*Note Stated Temperatures are for guidance only. For
specific temperature ratings for each clamp type and
design please contact our Engineering Department.
From -40°C to 900°C Gas Temp based on
correct material selection



Mounting Strap



Available Diameters

200mm - 600mm

Available Materials

300 & 400 Series Stainless Steel

Bolt Sizes Available - Metric

To Suit Application

Bolt Sizes Available - Imperial

To Suit Application

Strap Width Options

Strap width is determined by clamp design and bolt size

Operating Temperatures Guide

*Note Stated Temperatures are for guidance only. For specific temperature ratings for each clamp type and design please contact our Engineering Department.

From -40°C to 900°C Gas Temp based on correct material selection





Band Clamp Quick Release No Tongue



Available Diameters

60mm - 800mm

Available Materials

300 & 400 Series Stainless Steel, Inconel,
others on request

Bolt Sizes Available - Metric

M6, M8, M10

Bolt Sizes Available - Imperial

1/4", 5/16", 3/8"

Max. Torque Settings - Metric

M6 – 10 Nm

M8 – 20Nm

M10 – 27Nm

M12 – 42Nm

M16 – 100Nm

Max. Torque Settings - Imperial

1/4" – 7.38 ft lb

5/16" – 14.75 ft lb

3/8" – 20 ft lb

Strap Width Options

Strap width is determined by clamp design
and bolt size

Operating Temperatures Guide

*Note Stated Temperatures are for guidance only. For
specific temperature ratings for each clamp type and
design please contact our Engineering Department.

From -40°C to 900°C Gas Temp based on
correct material selection



Band Clamp With Quick Release & Tongue



Available Diameters

60mm - 800mm

Available Materials

300 & 400 Series Stainless Steel, Inconel, others on request

Bolt Sizes Available - Metric

M6, M8, M10

Bolt Sizes Available - Imperial

1/4", 5/16", 3/8"

Max. Torque Settings - Metric

M6 – 10Nm

M8 – 20Nm

M10 – 27Nm

Max. Torque Settings - Imperial

1/4" – 7.38 ft lb

5/16" – 14.75 ft lb

3/8" – 20 ft lb

Strap Width Options

Strap width is determined by clamp design and bolt size

Operating Temperatures Guide

*Note Stated Temperatures are for guidance only. For specific temperature ratings for each clamp type and design please contact our Engineering Department.

From -40°C to 900°C Gas Temp based on correct material selection



Band Clamp T Bolt No tongue



Available Diameters
60mm - 800mm

Available Materials
300 & 400 Series Stainless Steel, Inconel,
others on request

Bolt Sizes Available - Metric
M6, M8, M10, M12

Bolt Sizes Available - Imperial
1/4", 5/16", 3/8"

Max. Torque Settings - Metric
M6 – 10Nm
M8 – 20Nm
M10 – 27Nm
M12 – 42Nm

Max. Torque Settings - Imperial
1/4" – 7.38 ft lb
5/16" – 14.75 ft lb
3/8" – 20 ft lb

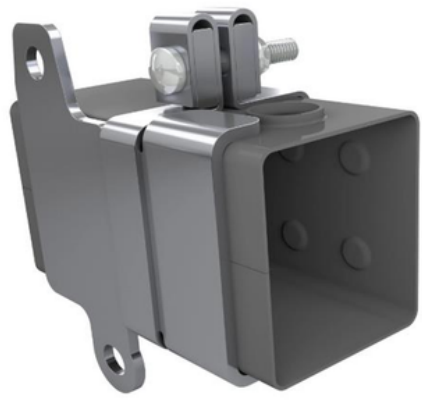
Strap Width Options
Strap width is determined by clamp design
and bolt size

Operating Temperatures Guide
*Note Stated Temperatures are for guidance only. For
specific temperature ratings for each clamp type and
design please contact our Engineering Department.
From -40°C to 900°C Gas Temp based on
correct material selection





Band Clamp Square with No Tongue



Available Diameters
40mm - 600mm

Available Materials
300 & 400 Series Stainless Steel, Inconel,
others on request

Bolt Sizes Available - Metric
M6, M8, M10, M12

Bolt Sizes Available - Imperial
1/4", 5/16", 3/8"

Max. Torque Settings - Metric
M6 – 10Nm
M8 – 20Nm
M10 – 27Nm
M12 – 42Nm

Max. Torque Settings - Imperial
1/4" – 7.38 ft lb
5/16" – 14.75 ft lb
3/8" – 20 ft lb

Strap Width Options
Strap width is determined by clamp design
and bolt size

Operating Temperatures Guide
*Note Stated Temperatures are for guidance only. For
specific temperature ratings for each clamp type and
design please contact our Engineering Department.
From -40°C to 900°C Gas Temp based on
correct material selection

Barrel Hardware Clamp



Part No.	ENGLISH(inches)			METRIC(millimeters)		
	NOMINAL	MINIMUM	MAXIMUM	NOMINAL	MINIMUM	MAXIMUM
BHC-150	1.50	1.36	1.64	38	35	42
BHC-175	1.75	1.61	1.89	45	41	48
BHC-188	1.88	1.74	2.02	48	44	51
BHC-200	2.00	1.86	2.14	51	47	54
BHC-212	2.12	1.98	2.26	54	50	57
BHC-225	2.25	2.11	2.39	57	54	61
BHC-238	2.38	2.24	2.52	60	57	64
BHC-250	2.50	2.36	2.64	63	60	67
BHC-256	2.56	2.42	2.70	65	61	69
BHC-262	2.62	2.48	2.76	67	63	70
BHC-275	2.75	2.61	2.89	69	66	73
BHC-288	2.88	2.74	3.02	73	70	77
BHC-300	3.00	2.86	3.14	76	73	80
BHC-312	3.12	2.98	3.26	79	76	83
BHC-325	3.25	3.11	3.39	82	79	86
BHC-350	3.50	3.36	3.64	88	85	92
BHC-400	4.00	3.86	4.14	101	98	105
BHC-425	4.25	4.11	4.39	107	104	112
BHC-450	4.50	4.36	4.64	114	110	118
BHC-500	5.00	4.86	5.14	127	123	131
BHC-550	5.50	5.36	5.64	139	136	143
BHC-600	6.00	5.86	6.14	152	149	156
BHC-650	6.50	6.36	6.64	165	162	169
BHC-700	7.00	6.86	7.14	178	174	181
BHC-750	7.50	7.364	7.64	191	187	194
BHC-766	7.66	7.52	7.80	194	191	198
BHC-800	8.00	7.86	8.14	203	200	207
BHC-850	8.50	8.36	8.64	216	212	219



Multi-Purpose Clamps



- For industrial, hardware, automotive and general purpose use
- All 300 series stainless steel for superior corrosion protection
- Heavy duty, non-perforated band
- Available with removable safety collar to prevent screwdriver slip injuries
- Rolled edge and smooth underside to prevent hose damage
- Technically advanced design improves sealing capability
- Refer to page 30 for packaging styles



Single Ear Clamp

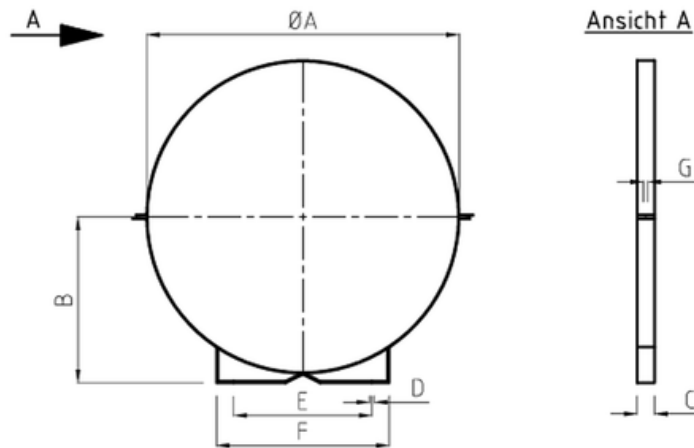


This kind of clamp is manufactured using #300 Stainless Steel, and offers 360° seamless fastening and clamping force up to min1500N. Due to their seamless design and uniform compression sealing, these clamps are often used in the automotive, marine, and motorcycle industries.

Features:

- Marine Grade Clamps
- All #300 stainless steel for excellent corrosion resistance
- Easy installation
- Complete size series

Stainless Steel Retaining Clamp



Typ	A	B	C	D	E	F	G
ZO 250	250	170	50	Ø13	120	170	Ø11
ZO 273	273	175	50	Ø13	160	200	Ø11
ZO 300	300	175	50	Ø13	160	200	Ø11
ZO 350	350	212	50	Ø13	200	260	Ø11
ZO 400	400	222	50	Ø13	250	300	Ø11
ZO 450	450	252	50	Ø13	300	350	Ø11
ZO 500	500	275	50	Ø13	300	350	Ø11
ZO 550	550	300	50	Ø13	310	370	Ø11
ZO 600	600	320	50	Ø13	340	400	Ø11
ZO 700	700	380	50	Ø13	350	440	Ø11
ZO 790	790	420	50	Ø13	380	470	Ø11
ZO 900	900	480	50	Ø13	400	500	Ø11



Constant Pressure Worm Drive Clamp





High Torque Worm Drive Clamp



Certifications



RIR CERTIFICATION
Partners in Growth

CERTIFICATE

REX CONSOLIDATED

80 DLF, INDUSTRIAL AREA, PHASE 1, FARIDABAD-121003, HARYANA, INDIA

RIR certifies that the Environmental Management System of the organization has been assessed and found to be in accordance with the requirements of the following standard:

ISO 14001:2015

SCOPE

MANUFACTURING & SUPPLY OF EXHAUST SYSTEMS COMPONENTS, EXHAUST RAIN CAPS, CLAMPS, UNIVERSAL CLAMPS, CUSTOM DESIGNED CLAMPS, V-CLAMPS, HYDRAULIC ACCUMULATOR CLAMPS, AIR TANK CLAMPS, DIN POLE/ROTATING BEACON MOUNTING BRACKETS(DIN14620), SEALANTS AND GASKETS, TRUCKS & TRAILER PARTS, FUEL TANK ACCESSORIES AND COMPONENTS, BUILDING HARDWARE COMPONENTS, FASTENERS, PRECISION METAL PARTS AND COMPONENTS, FLANGES, PIPE FITTINGS, RUBBER COMPONENTS, SPRING AND WIRE PRODUCTS, PLASTIC MOULDED COMPONENTS, AGRI COMPONENTS AND TRACTOR PARTS

IAF CODE- 14, 17, 22

Certificate No	: 1530/REX14A
Initial Registration Date	: 04.11.2022
Expiry Date (Previous Cycle)	: 03.11.2025
Current Issue Date	: 27.11.2025
Reissue Due Date	: 03.11.2026
Next Surveillance Due Date	: 03.10.2026
Certificate Expiry Date	: 03.11.2028
Revision No & Date	: N/A






REGISTERED

ISO 14001:2015

Authorized Signatory

RIR CERTIFICATION PRIVATE LIMITED

323, Tower B4, Space 3-Tech Park, Sector-49, Sohna Road, Gurgaon-122016, INDIA
Accredited by International Accreditation Services (Accreditation No. MSCB-127)
West Coast, 3060 Saturn Street, Suite 100 Brea, California 92821-1732 U.S.A

This certification was conducted in accordance with RIR certification procedures and remains valid subject to an annual satisfactory surveillance audits.
Certification period is 3 years. Verifiable at <http://www.rircert.com/certificate-search.php> or at e-mail: info@rircert.com

F 18.01, Rev 01



RIR CERTIFICATION
Partners in Growth

CERTIFICATE

REX CONSOLIDATED

80 DLF, INDUSTRIAL AREA, PHASE 1, FARIDABAD-121003, HARYANA, INDIA

RIR certifies that the Quality Management System of the organization has been assessed and found to be in accordance with the requirements of the following standard:

ISO 9001:2015

SCOPE

MANUFACTURING & SUPPLY OF EXHAUST SYSTEMS COMPONENTS, EXHAUST RAIN CAPS, CLAMPS, UNIVERSAL CLAMPS, CUSTOM DESIGNED CLAMPS, V-CLAMPS, HYDRAULIC ACCUMULATOR CLAMPS, AIR TANK CLAMPS, DIN POLE/ROTATING BEACON MOUNTING BRACKETS(DIN14620), SEALANTS AND GASKETS, TRUCKS & TRAILER PARTS, FUEL TANK ACCESSORIES AND COMPONENTS, BUILDING HARDWARE COMPONENTS, FASTENERS, PRECISION METAL PARTS AND COMPONENTS, FLANGES, PIPE FITTINGS, RUBBER COMPONENTS, SPRING AND WIRE PRODUCTS, PLASTIC MOULDED COMPONENTS, AGRI COMPONENTS AND TRACTOR PARTS

IAF CODE- 14, 17, 22

Certificate No	: 1530/REX09A
Initial Registration Date	: 04.11.2022
Expiry Date (Previous Cycle)	: 03.11.2025
Current Issue Date	: 27.11.2025
Reissue Due Date	: 03.11.2026
Next Surveillance Due Date	: 03.10.2026
Certificate Expiry Date	: 03.11.2028
Revision No & Date	: N/A






REGISTERED

ISO 9001:2015

Authorized Signatory

RIR CERTIFICATION PRIVATE LIMITED

323, Tower B4, Space 3-Tech Park, Sector-49, Sohna Road, Gurgaon-122016, INDIA
Accredited by International Accreditation Services (Accreditation No. MSCB-127)
West Coast, 3060 Saturn Street, Suite 100 Brea, California 92821-1732 U.S.A

This certification was conducted in accordance with RIR certification procedures and remains valid subject to an annual satisfactory surveillance audits.
Certification period is 3 years. Verifiable at <http://www.rircert.com/certificate-search.php> or at e-mail: info@rircert.com

F 18.01, Rev 01



Contact US

REX Consolidated
80 DLF Industrial Area Phase 1
Faridabad Haryana-121003
India

© Copyright 2026 Invicta India Pvt. Ltd.

All information and data stated in this Product Range document has been compiled with utmost care. Nevertheless, Invicta accepts no liability for any errors, omissions or other inaccuracies contained herein. Subject to change without notice. Reprinting or reproduction, in whole or in part, including of photographs, illustrations or graphics, is not permitted without the prior written consent of Invicta India Pvt. Ltd.. We reserve all rights in connection with this document.

Any similarity or resemblance is unintended and is merely a coincidence.

The vehicle applications cited in this Product Range document may possibly be valid only up to the date printed on the last of the document. All references made in this Product Range document to the item numbers of vehicle manufacturers and/or competitors are provided for the purpose of comparison only. Such information is not allowed to be used in invoices issued to vehicle owners.

For enquiries, please email us : rahul@invictaindia.com

All drawings & illustrations are the property right of INVICTA and cannot be copied, duplicated or re-printed in any form without the prior written consent from INVICTA

Invicta Copyright @ 2026
All Right Reserved



www.invictaclamps.com



www.invictaclamps.com





www.invictaclamps.com



