

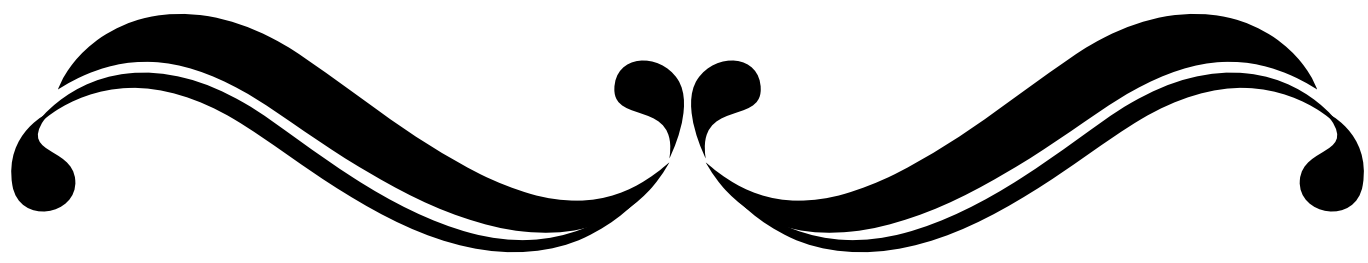


# Air Tank Clamps



[www.invictaclamps.com](http://www.invictaclamps.com)

# Introduction



Invicta Clamps: High-Performance Air Tank Clamps for Reliable Applications. At Invicta Clamps, we specialize in manufacturing high-performance air tank clamps designed to meet the rigorous demands of various industrial applications. Our air tank clamps are crafted with precision engineering and high-quality materials, ensuring exceptional durability, strength, and reliability. Whether you need clamps for automotive, commercial, or industrial air tank systems, Invicta Clamps provides the perfect solution to secure and support your equipment.

## **Product Features**

**Robust Construction:** Our air tank clamps are made from premium materials such as stainless steel and galvanized steel, offering excellent resistance to corrosion and environmental factors. This robust construction ensures long-lasting performance even in the harshest conditions. Precision Engineering. Each clamp is engineered with meticulous attention to detail, ensuring a secure fit and reliable operation. The precision design minimizes the risk of leaks and failures, providing consistent performance for air tank systems. Versatile Sizes and Designs Invicta air tank clamps are available in various sizes and designs to accommodate different tank diameters and configurations. This versatility makes them suitable for a wide range of applications, from small automotive tanks to large industrial air tanks. Ease of Installation. Our clamps are designed for easy installation, allowing for quick and efficient setup. The user-friendly design reduces downtime and maintenance efforts, making them ideal for busy industrial environments.

**Enhanced Safety:** Safety is a top priority at Invicta Clamps. Our air tank clamps are rigorously tested to ensure they meet or exceed industry standards for safety and reliability. This commitment to quality helps prevent accidents and ensures the secure operation of air tank systems Applications.

**Automotive Industry:** Our air tank clamps are widely used in automotive applications, including air brake systems and air suspension systems. Their durable construction and precise fit make them an excellent choice for ensuring the reliability and safety of these critical systems.

**Industrial Equipment:** In industrial settings, air tanks are essential for powering pneumatic tools and machinery. Invicta air tank clamps provide the strength and reliability needed to secure air tanks in heavy-duty environments, ensuring uninterrupted operation.

**Commercial Vehicles:** For commercial vehicles such as trucks and buses, reliable air tank clamps are crucial for maintaining air brake and suspension systems. Our clamps are designed to withstand the demands of commercial use, providing peace of mind for fleet operators.

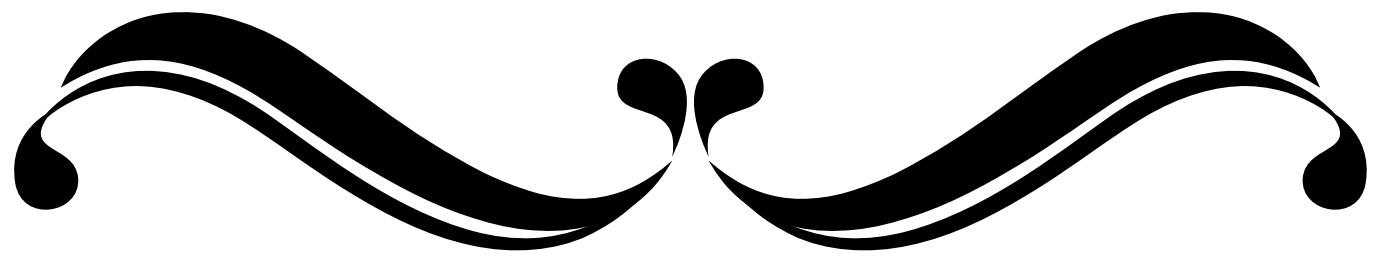
**Marine Applications:** The marine industry requires equipment that can withstand harsh conditions, including exposure to saltwater and extreme weather. Invicta air tank clamps are designed to offer superior corrosion resistance, making them suitable for use in marine environments.

**Commitment to Quality:** At Invicta Clamps, we are dedicated to providing products that meet the highest standards of quality and performance. Our air tank clamps undergo rigorous testing and quality control procedures to ensure they deliver reliable and consistent performance. We are committed to continuous improvement and innovation, striving to offer the best solutions for our customers' needs.

**Customer Support:** We understand the importance of exceptional customer service. Our experienced team is always available to assist with product selection, technical inquiries, and custom solutions. We work closely with our clients to ensure they receive the best products and support for their specific applications



# INVICTA 88X (One Part Air Tank Clamp)

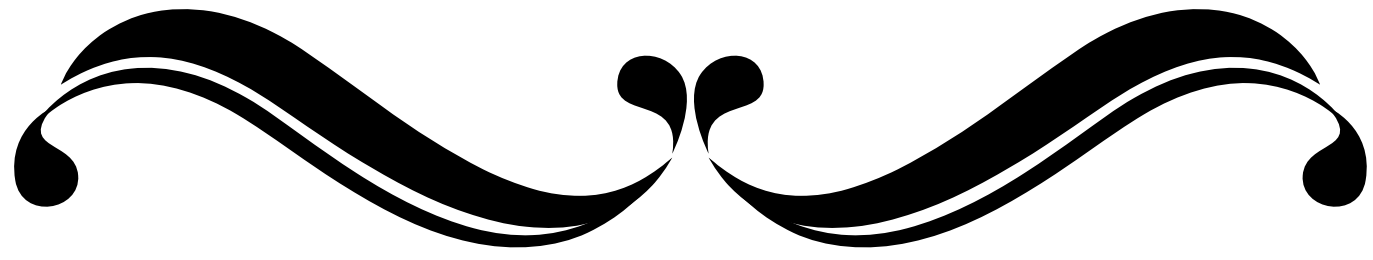


Increased safety, with two internal weld seams and two external weld spots at the strap anchorage point on the support. 2mm Mild Carbon Steel, Phosphated, and with 800 micron Polyamide coating. This clamp is fully assembled with either two M12 DIN984 or two M12 DIN980 Nuts Compliant with STANDARD 87/404/EC

$\emptyset$
206mm
246mm
276mm
310mm
310mm



# INVICTA 87X "FLANGE" (Air Tank Clamp)



## Features:

1. Carbon Steel with 800-micron Polyamide coating
2. Assembled with 2 Standard M10 Nuts

∅
206mm
246mm
276mm
310mm
396mm



# INVICTA WKLX (Air Tank Clamp)

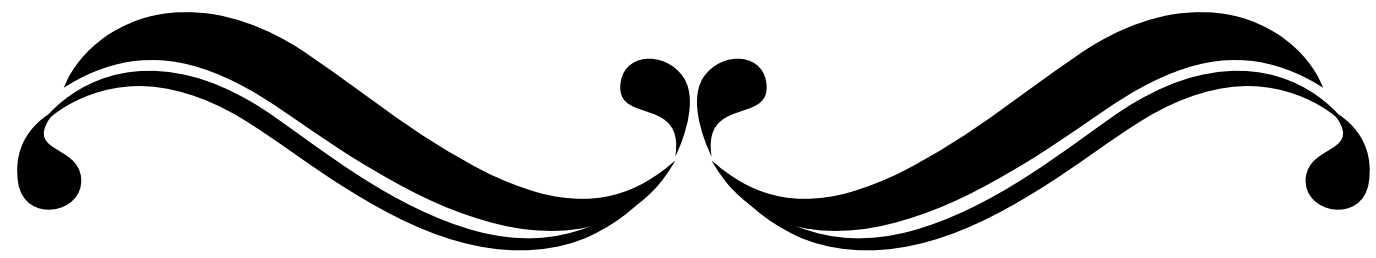


## Features:

- 1 Carbon Steel with Black Powder Coating
2. Fitted with EPDM Rubber
3. Assembled with 1 M12 Nut and 1 M12 Washer
4. Each clamp packed individually in a poly-bag

Ø
206mm
246mm
276mm
310mm
396mm

# INVICTA 97X (Two Part Air Tank Clamp)



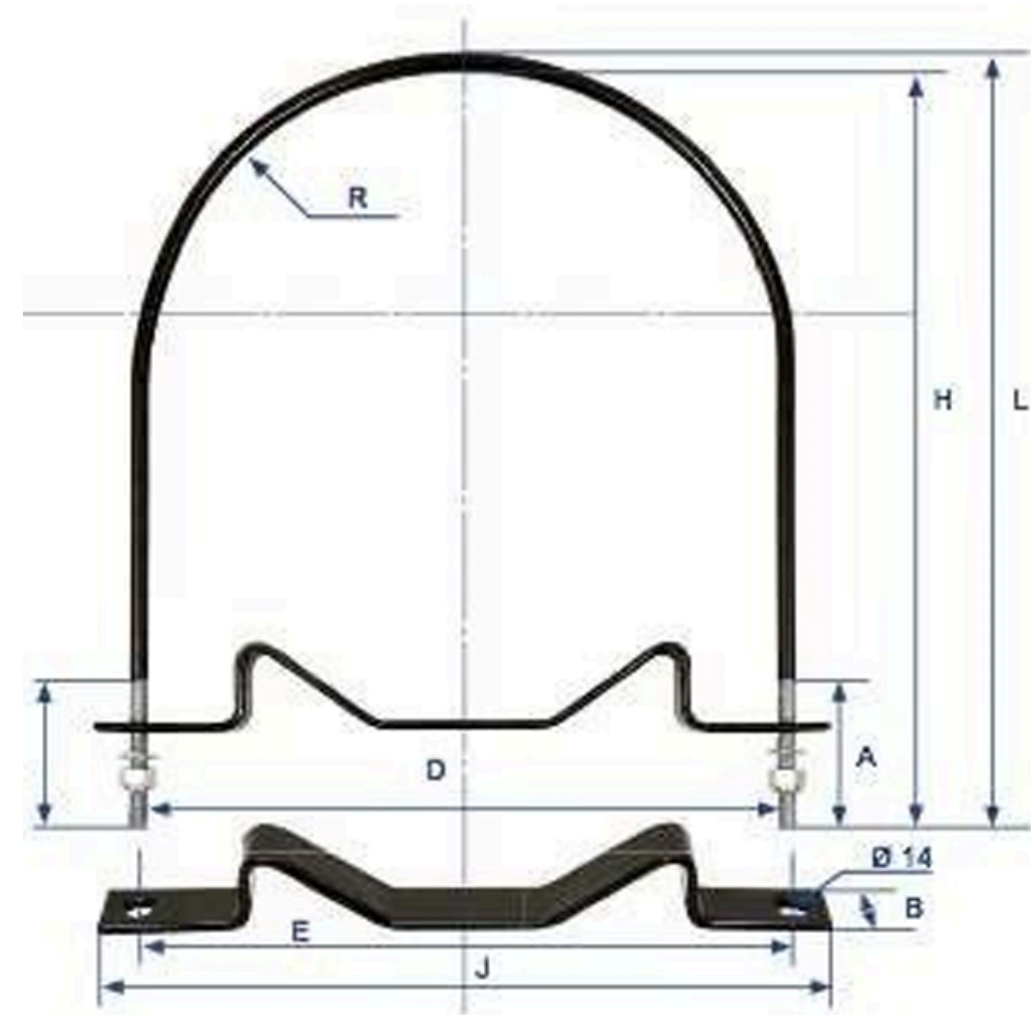
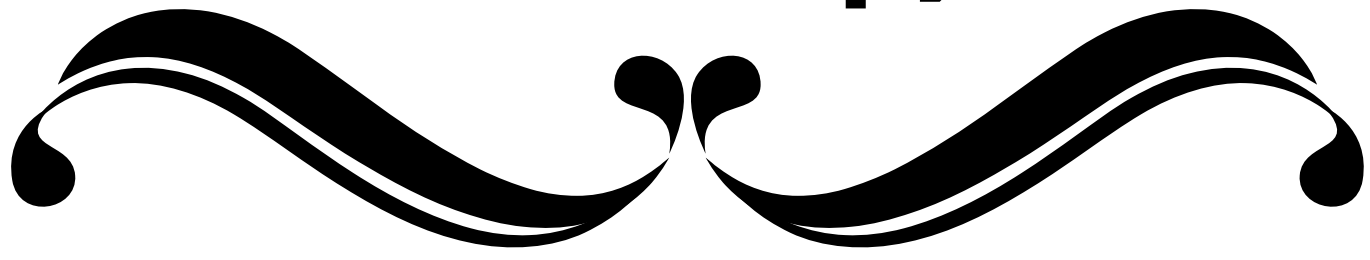
## Features:

1. Steel Thickness - 2mm
2. Available in Zinc Plating or in 800-micron Polyamide Coating
3. Sold unassembled as a kit, with channel and strap in a plastic bag.
4. Sold with two M12 Nuts : 1 M12 Nylock Nut, and 1 M12 Flat Washer
5. These clamps enable a 50% reduction in transportation volume. Assembly instructions are provided.

Ø
206mm
246mm
276mm
310mm
396mm



# INVICTA 84X (Standard V-Shape Air Tank Clamp)



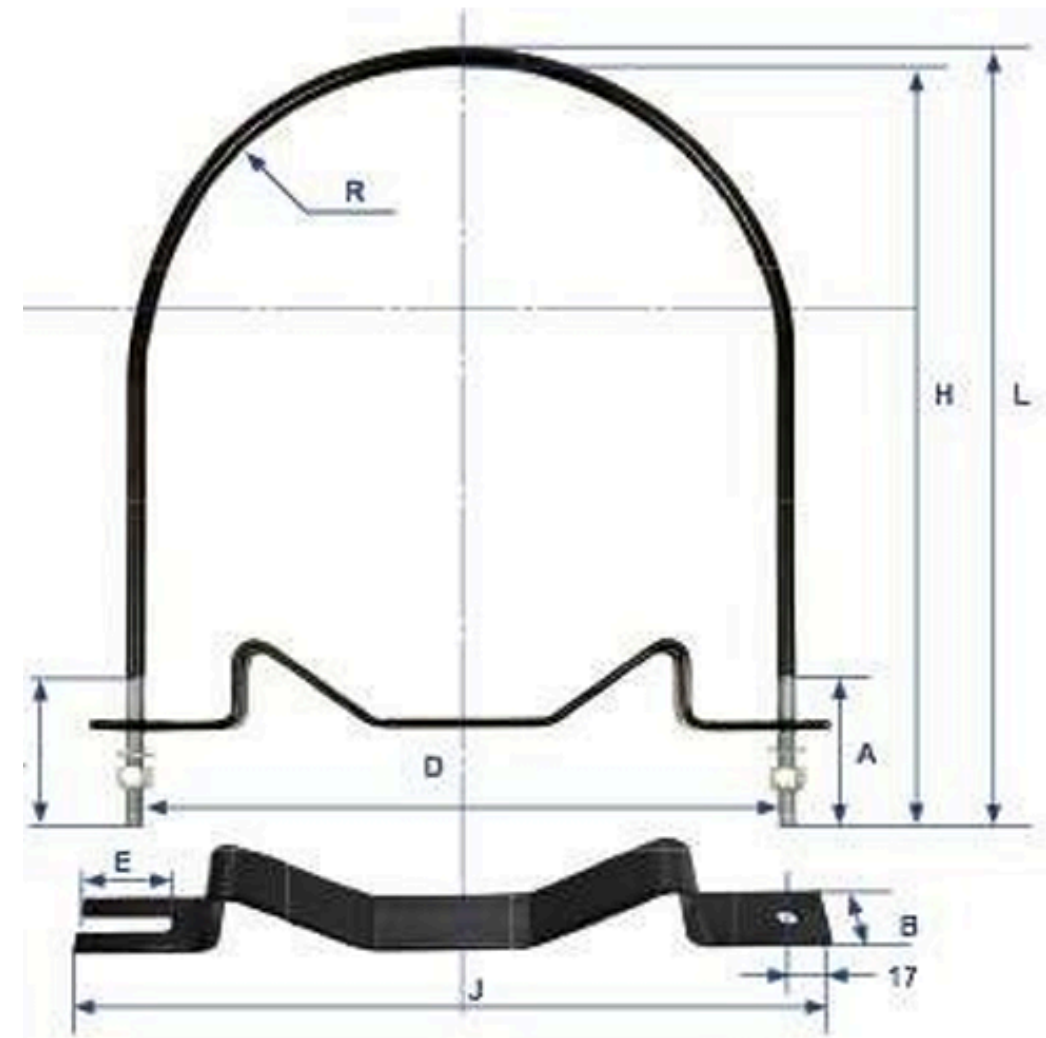
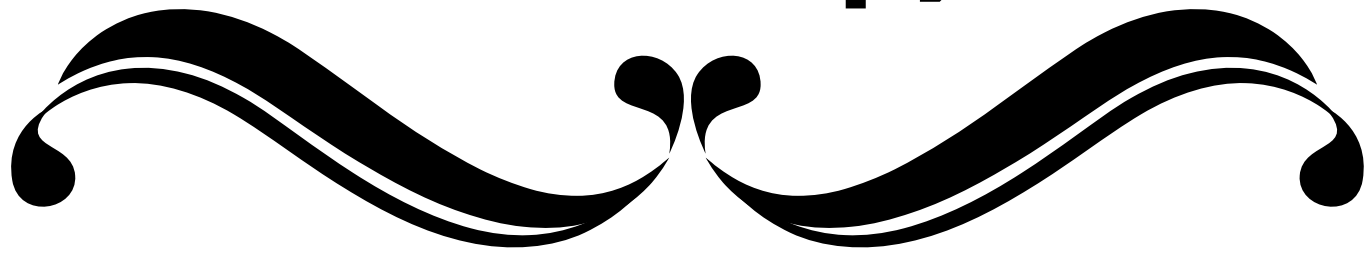
## Features:

1. Carbon Steel with 800 micron Polyamide Coating
2. 4mm thick carbon steel with 14mm hole
3. Sold individually, not assembled, with two M10 nylock nuts and two M10 plain washers

Ø
206mm
246mm
276mm
310mm
360mm
396mm



# INVICTA 7172X (Italian V-Shape Air Tank Clamp)



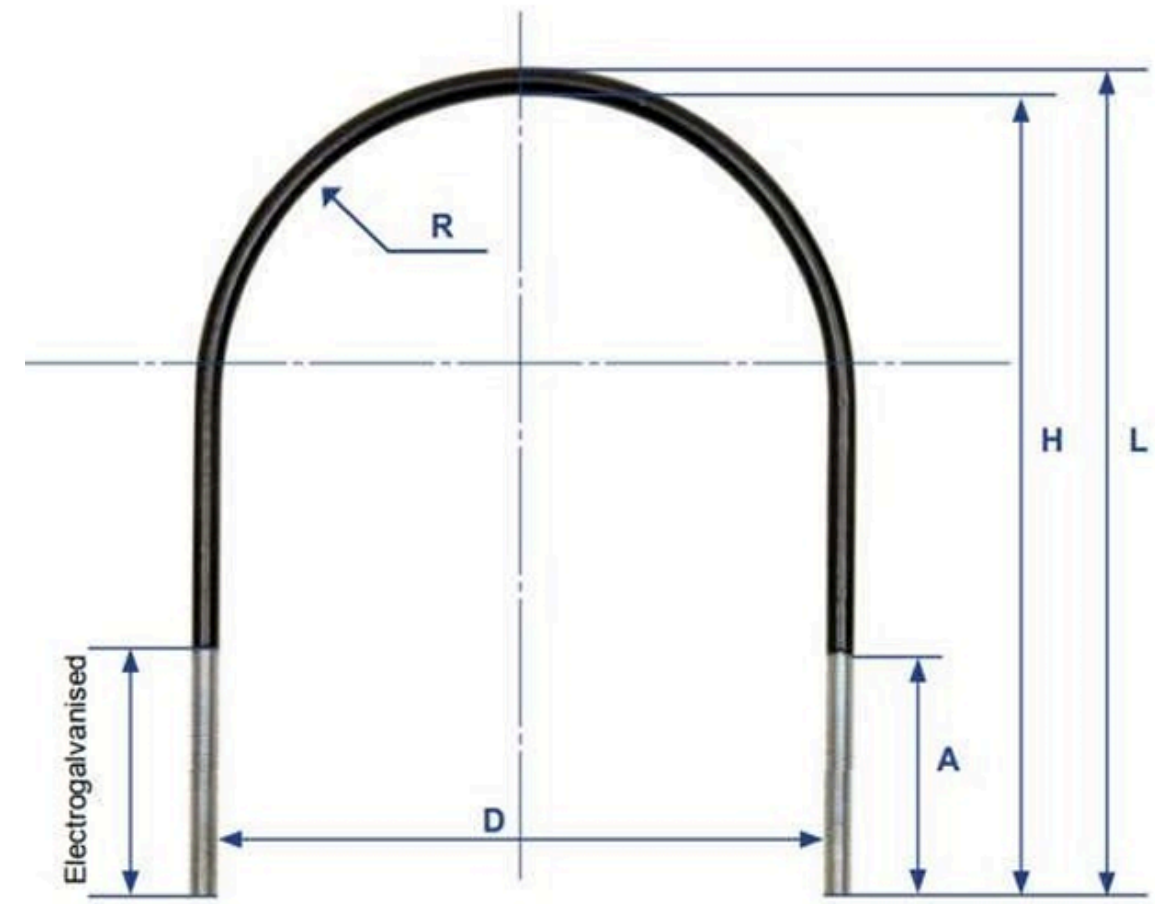
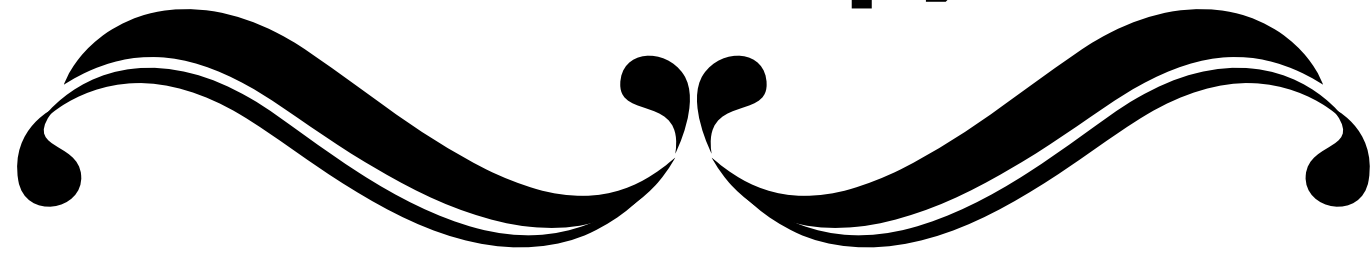
## Features:

1. Carbon Steel with 800 micron Polyamide Coating
2. M8 "U" for Aluminium Tanks and M10 "U" for STEEL Tanks
3. 4mm thick carbon steel with 14mm hole
4. Sold individually, not assembled, with two M10 nylock nuts and two M10 plain washers

Ø
206mm
246mm
276mm
310mm
360mm
396mm



# 75X (Standard U for Air Tank Clamp)



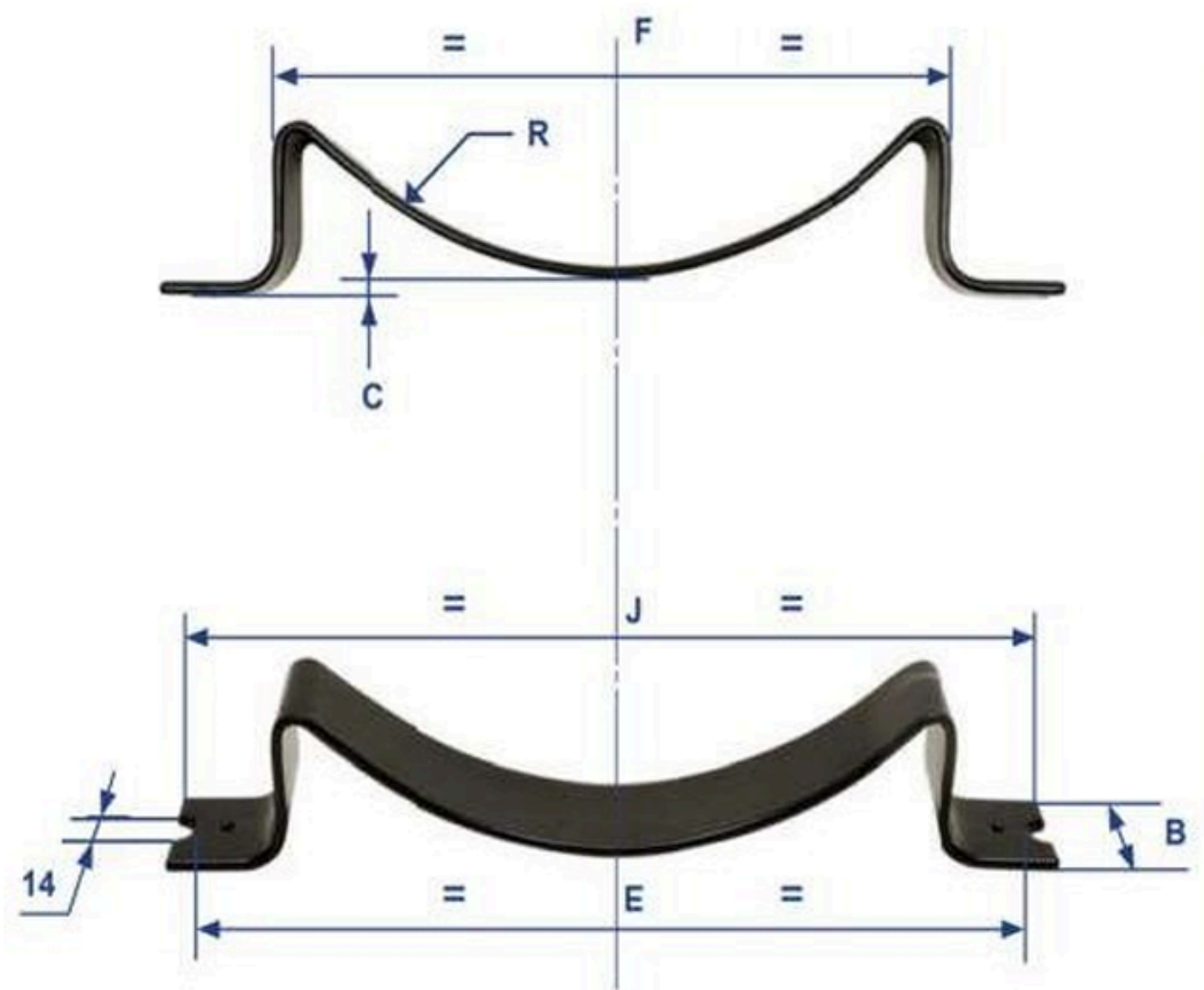
## Features:

1. Carbon Steel with 800 micron Polyamide Coating and Zinc Plating
2. M10 Thread

Tank Diameter = D	R	A	H	L
100	50	90	185	195
150	75	90	210	220
200	100	90	270	280
206	103	85	276	286
246	123	85	316	326
250	125	55	290	300
250	125	95	330	340
<b>Replaced by 75.276.00</b>				
275 - 276	138	85	346	356
300	150	70	360	370
300	150	50	337	347
300	150	40	275	285
300	150	130	400	410
310	155	82	372	382
310	155	57	347	357
320	160	60	360	370
350	175	95	415	425
396	198	85	466	476
400	200	110	496	506



# 76X (Standard Support for Air Tank Clamp)

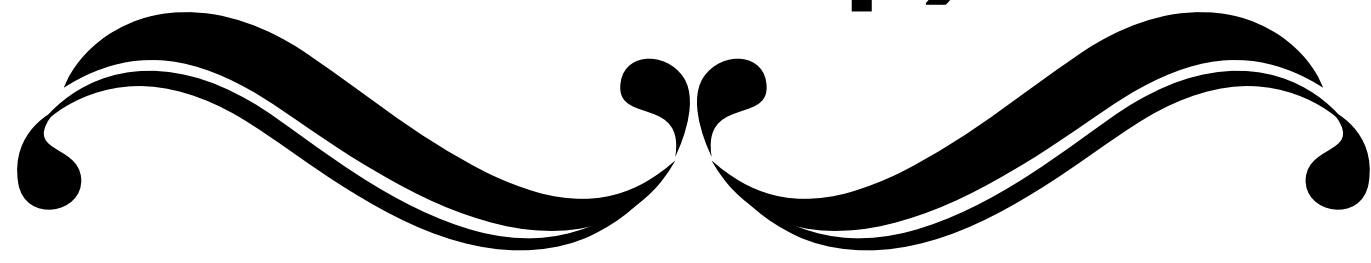


## Features:

1.3mm Carbon Steel with 800 micron Polyamide Coating

Tank Diameter = D	R	E	F	B	J	C
100	50	98	78	40	110	4
150	75	148	130	40	160	4
200	100	198	149	40	210	5
206	103	204	155	40	216	5
246	123	244	172	40	256	5
250	125	248	176	40	260	5
250	125	248	176	40	260	1,5
<b>Replaced by 76.276.00</b>						
275 - 276	138	274	202	40	286	5
300	150	298	226	40	310	5
310	155	308	236	40	320	6
320	160	318	246	40	330	8
350	175	348	265	40	360	10
396	198	394	311	40	406	10
400	200	398	315	40	410	10

# 77X (Standard Kits for Air Tank Clamp)



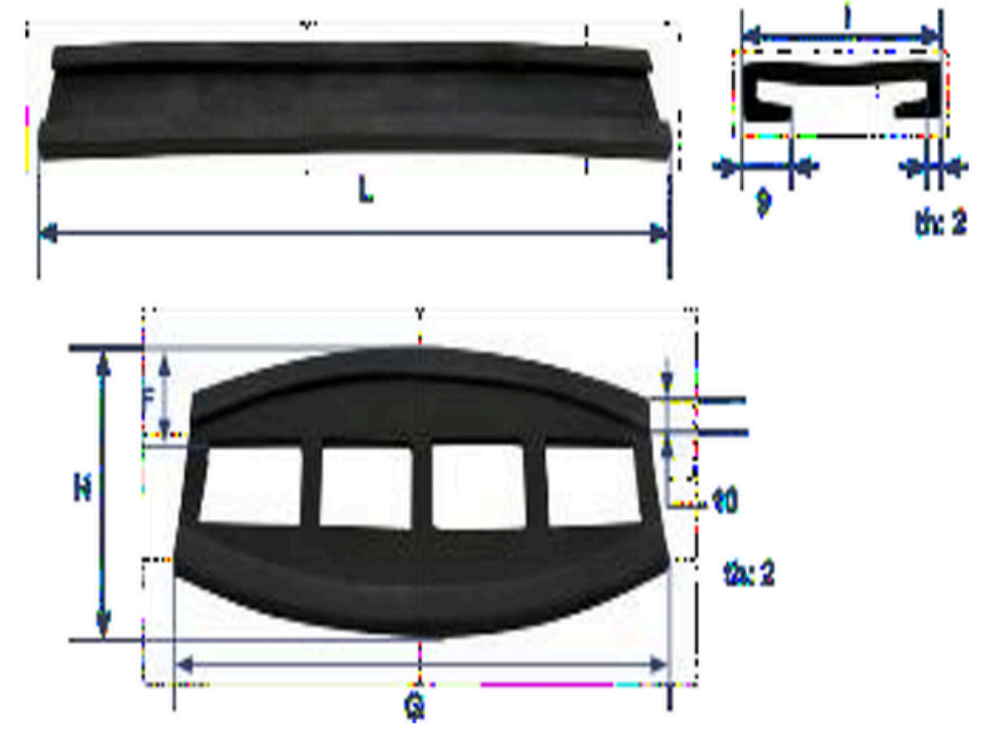
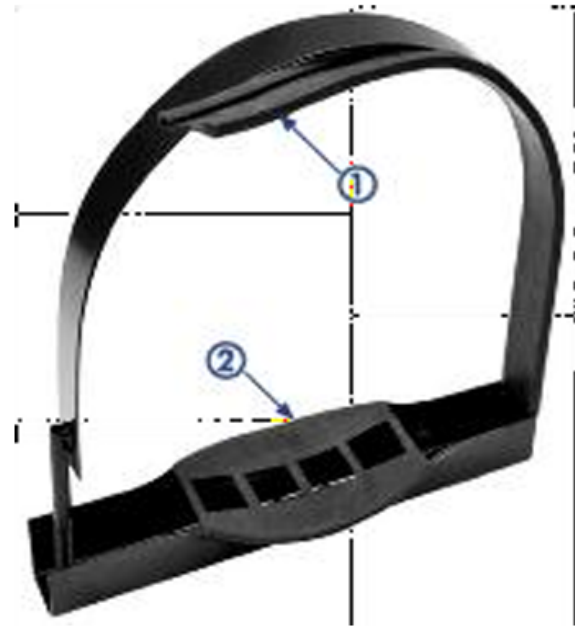
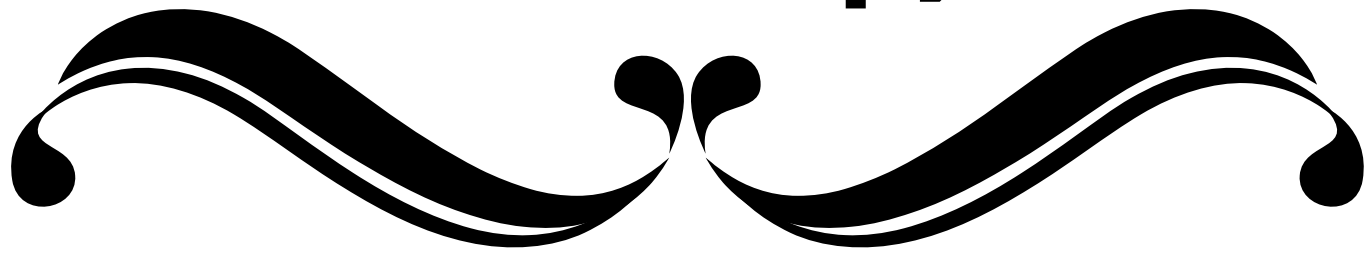
## Features:

1. A kit comprises 2 U + 2 Support + 4 NY lock Nuts; each kit packed in a plastic bag
2. Additional NY lock nuts available on request.

Tank Diameter = D	Standard "U"	Standard Supports	Nylstop M10 Nuts
100	75.100.00	76.100.00	78.000.00
150	75.150.00	76.150.00	78.000.00
200	75.200.00	76.200.00	78.000.00
206	75.206.00	76.206.00	78.000.00
246	75.246.00	76.246.00	78.000.00
250	75.250.00	76.250.00	78.000.00
<b>Replaced by 77.276.00</b>			
275 - 276	75.276.00	76.276.00	78.000.00
300	75.300.00	76.300.00	78.000.00
300	75.300.01	76.300.00	78.000.00
310	75.310.00	76.310.00	78.000.00
310	75.310.01	76.310.00	78.000.00
320	75.320.00	76.320.00	78.000.00
350	75.350.00	76.350.00	78.000.00
396	75.396.00	76.396.00	78.000.00
400	75.400.00	76.400.00	78.000.00



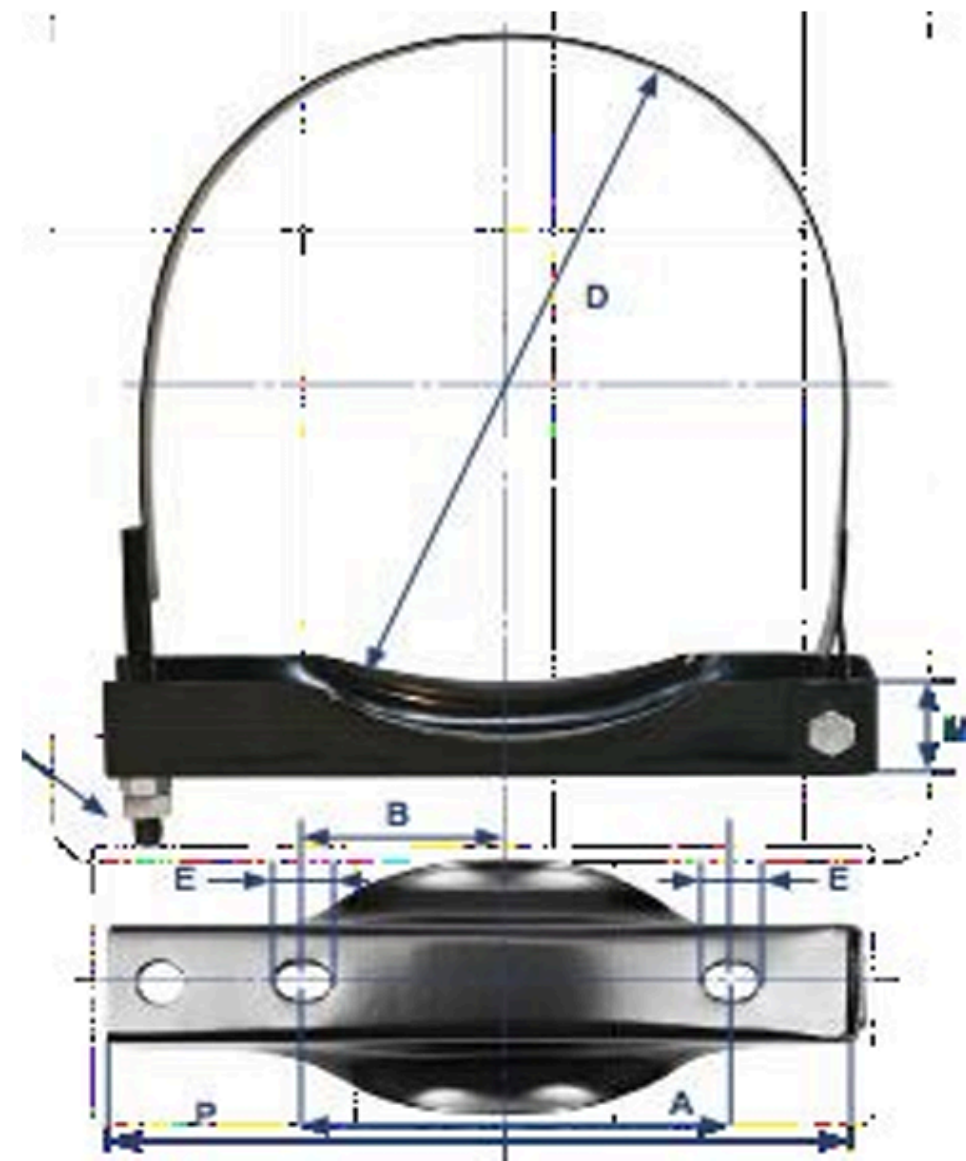
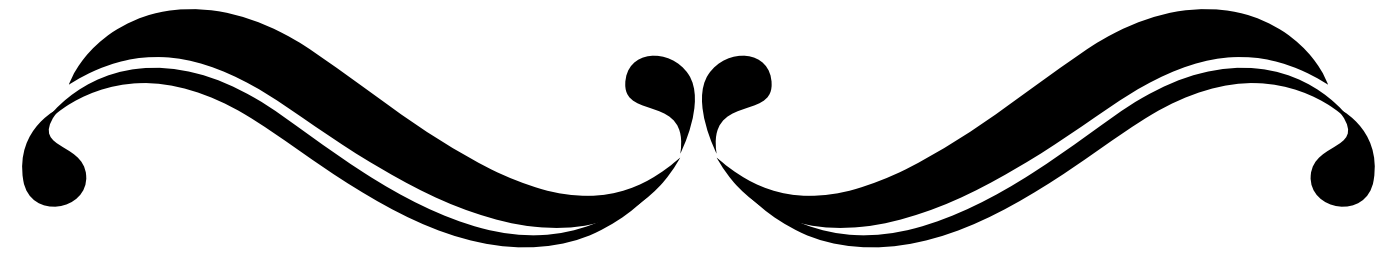
# 77X (Standard Kits for Air Tank Clamp)



93.206.00	206	450	40	31	126	82
93.206.00	246	700	40	32	156	95
	276	700	40	32	156	95
	310	700	40	32	156	95
93.396.00	396	930	40	33	190	96



# 73X (Foldable Air Tank Clamp)



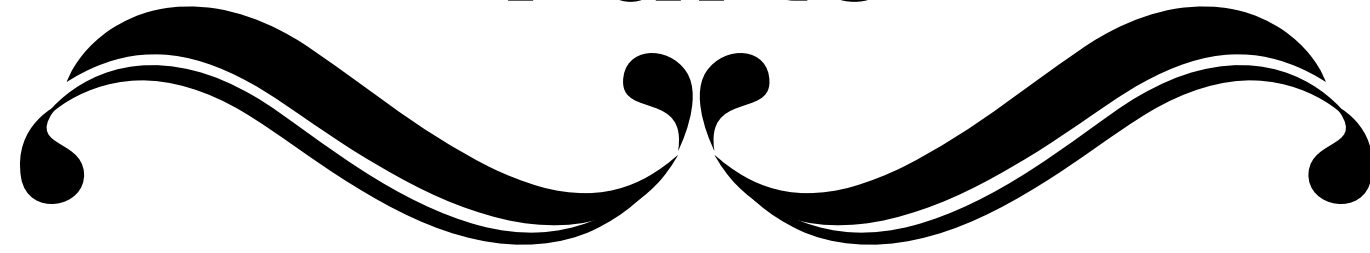
Sold in KITS of two clamps. 2 mm thick steel, "Phosphated" then coated with matt black paint or electrogalvanised.

Foldable "Strap" Clamps sold in KITS containing two clamps in a plastic bag:  
2 foldable clamps + 4 standard M12 nuts.

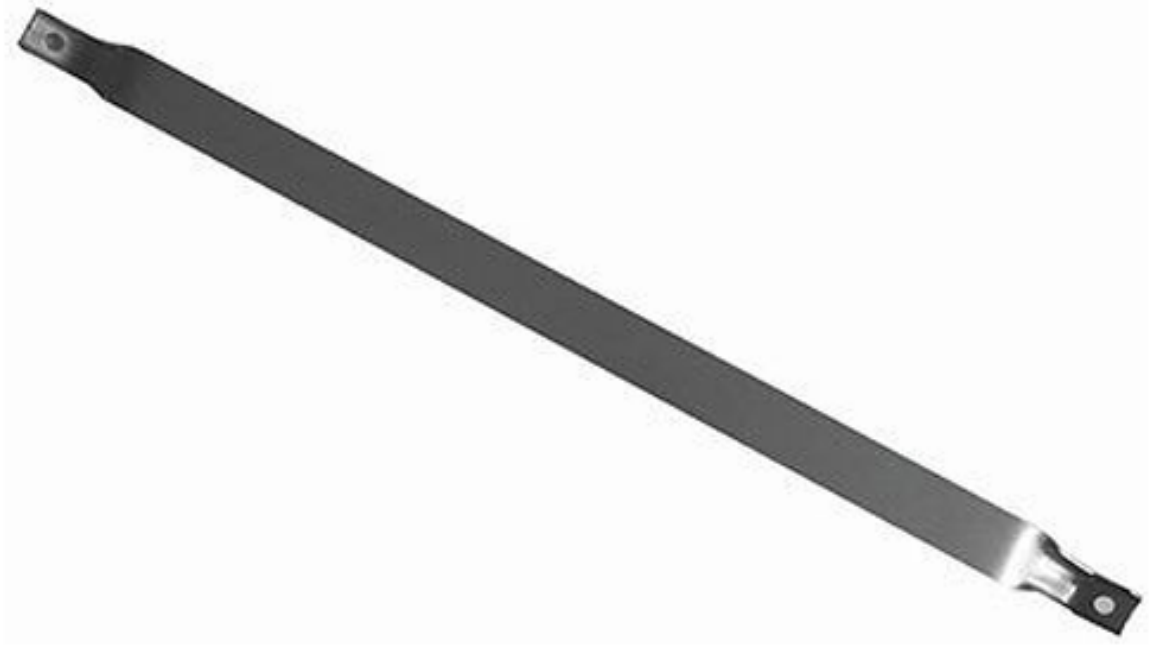
Tank Diameter = D	A	B	M	P	E
206	130	65	43	230	11x16
246	180	90	43	270	11x16
276	180	90	43	300	11x16
310	200	100	43	335	11x16
396	250	125	43	420	11x16
206	122	61	43	230	12x16
246	162	81	43	270	12x16
276	192	96	43	300	12x16
310	227	113	43	335	12x16
396	307	153	43	420	12x16



# Aftermarket Parts



**81.97460-6042**



**2519816**



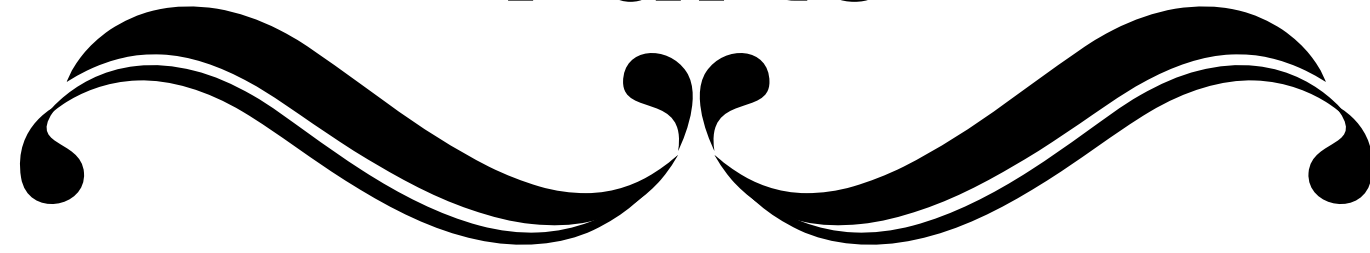
**06.67760-0514**



**1391742**



# Aftermarket Parts



**20744409**



**A0004321821  
(246 Strap)**



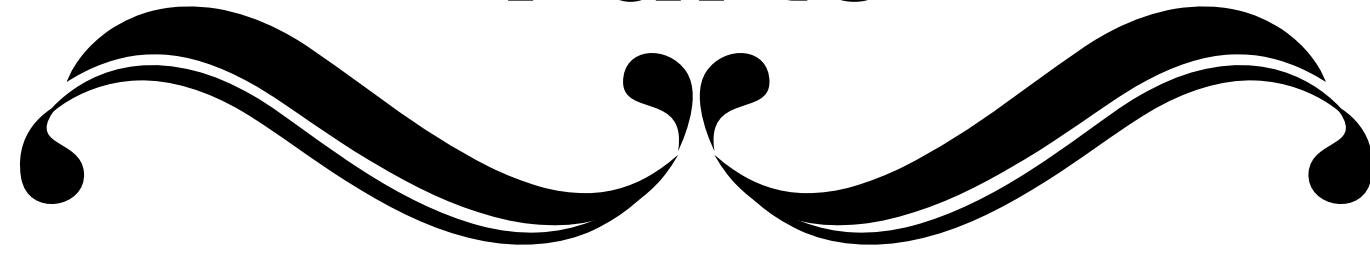
**A0004321921  
(276 Strap)**



**2519815**



# Aftermarket Parts



**A0004321721  
(206 Strap)**



**1724860**



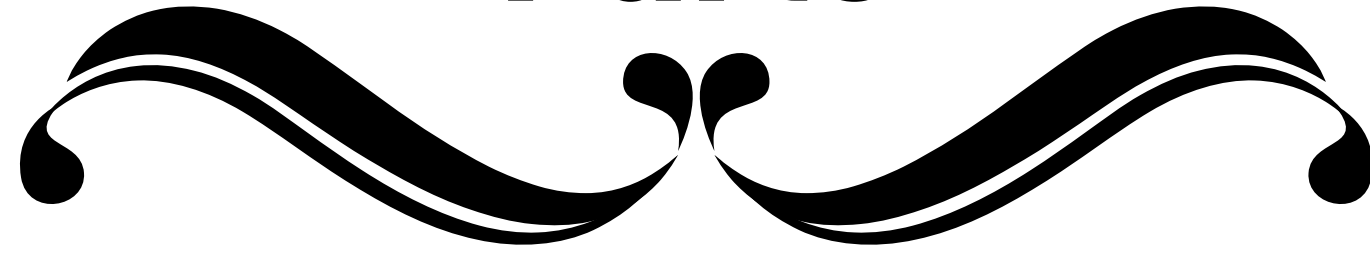
**A 970 432 00 21  
(ss)**



**1724862**



# Aftermarket Parts



**A 000 432 14 21**



**A0004321321**



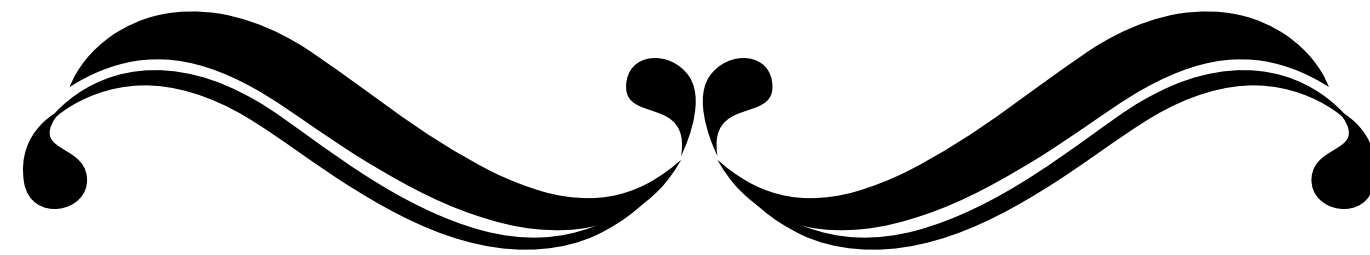
**1455775**



**A6734300240**



# Contact Us



REX Consolidated  
80 DLF Industrial Area Phase 1  
Faridabad Haryana-121003  
India

© Copyright 2022 Invicta India Pvt. Ltd.

All information and data stated in this Product Range document has been compiled with utmost care. Nevertheless, Invicta accepts no liability for any errors, omissions or other inaccuracies contained herein. Subject to change without notice. Reprinting or reproduction, in whole or in part, including of photographs, illustrations or graphics, is not permitted without the prior written consent of Invicta India Pvt. Ltd.. We reserve all rights in connection with this document.

Any similarity or resemblance is unintended and is merely a coincidence. The vehicle applications cited in this Product Range document may possibly be valid only up to the date printed on the last of the document. All references made in this Product Range document to the item numbers of vehicle manufacturers and/or competitors are provided for the purpose of comparison only. Such information is not allowed to be used in invoices issued to vehicle owners.

For enquiries, please email us : [rahul@invictaindia.com](mailto:rahul@invictaindia.com)

All drawings & illustrations are the property right of INVICTA and cannot be copied, duplicated or re-printed in any form without the prior written consent from INVICTA

Invicta Copyright @ 2022  
All Right Reserved

